

**traulux**

# QUICK START GUIDE

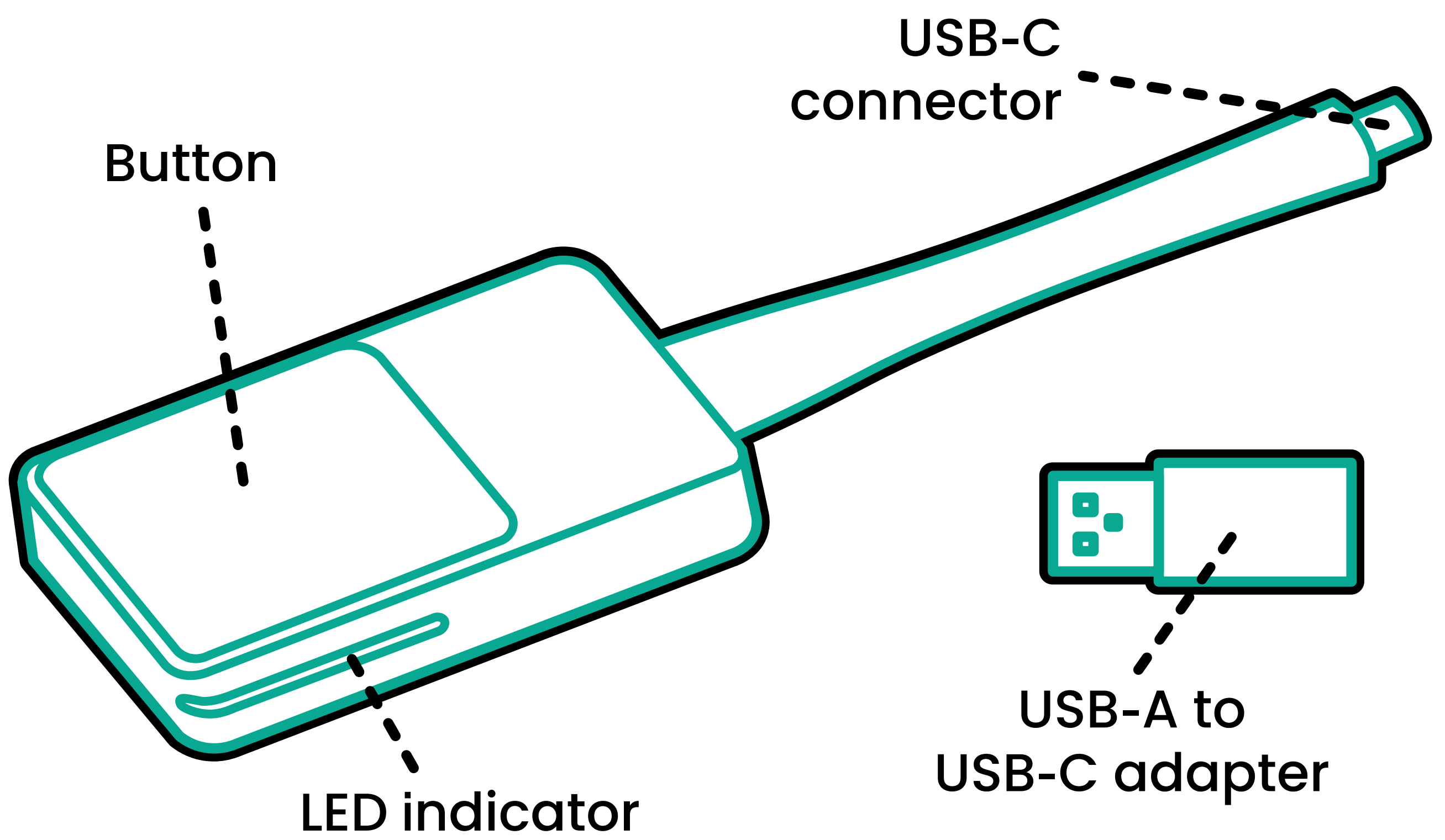
Wireless presentation system



English  
version .02



# Appearance



- **USB-C Connector**

Used to connect the dongle to the laptop.

- **Button**

To start or stop transmission.

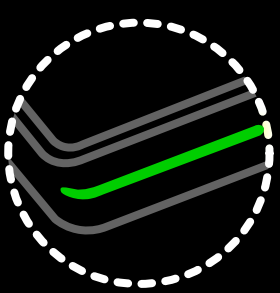
- **USB A to USB C Adapter**

For pairing compatible interactive monitors without USB-C.

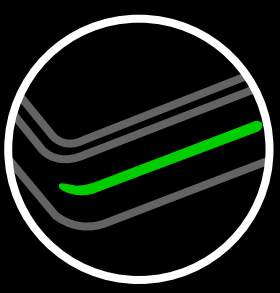
- **LED indicator**



Off  
Not inserted to any device.



**Flashing green**  
Pairing or connection to the interactive.



**Steady green**  
Ready for projection.



**Steady blue**  
Full pairing or screen sharing.



**Flashing red**  
Error pairing or connecting to the interactive.



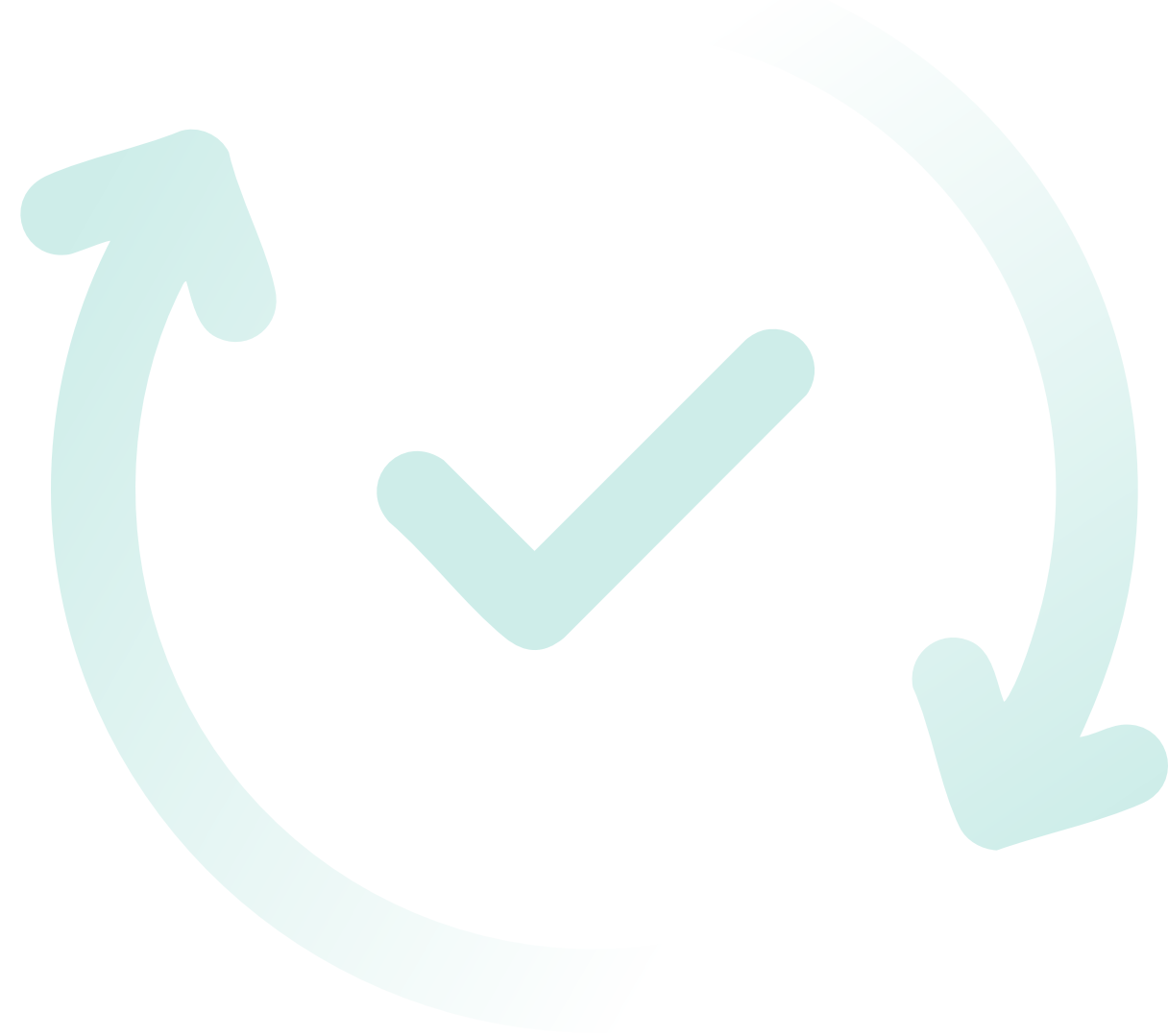
**Flashing yellow**  
Updating in process.

## REQUIREMENT

ESharePro must be installed and activated on the interactive. You can pair the button with the interactive display in the following ways.

### Automatic pairing

Make sure the Wi-Fi hotspot is enabled on the display, connect the EShare dongle to the USB-C port on the display, wait for the pairing complete message to appear on the display and unplug it.



### Manual pairing

If the Wi-Fi access point is not available on your display, start ESharePro, plug EShare dongle into the USB-C port of the display, a manual pairing window will appear, enter the Wi-Fi SSID and password, then press OK to complete the pairing.



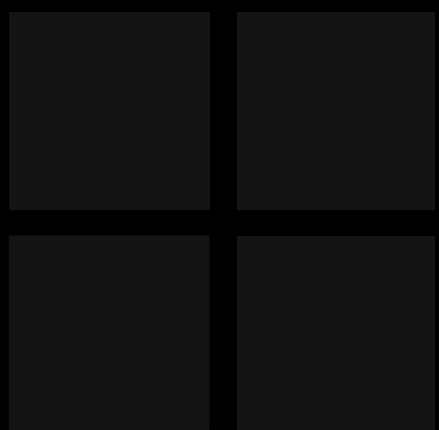
## Screen sharing

1

Connect the EShare dongle to the laptop via the Type-C port and wait for the LED to flash and light up solid blue. Press the button to start screen sharing.

2

Extended screen mode



**For Windows**, press "Win+P" and change the display mode to PC Display Only, Duplicate, Extend, Second Screen Only.



**For macOS**, launch System Preferences > Displays > Select BYOM 4K, choose the projection mode according to your needs, e.g. As Standalone Display, Mirror Integrated Retina Display.



# BYOM (Bring Your Own Meeting)

## REQUIREMENT

Microphone, camera and speaker connected to a USB-A / C port of the interactive display.

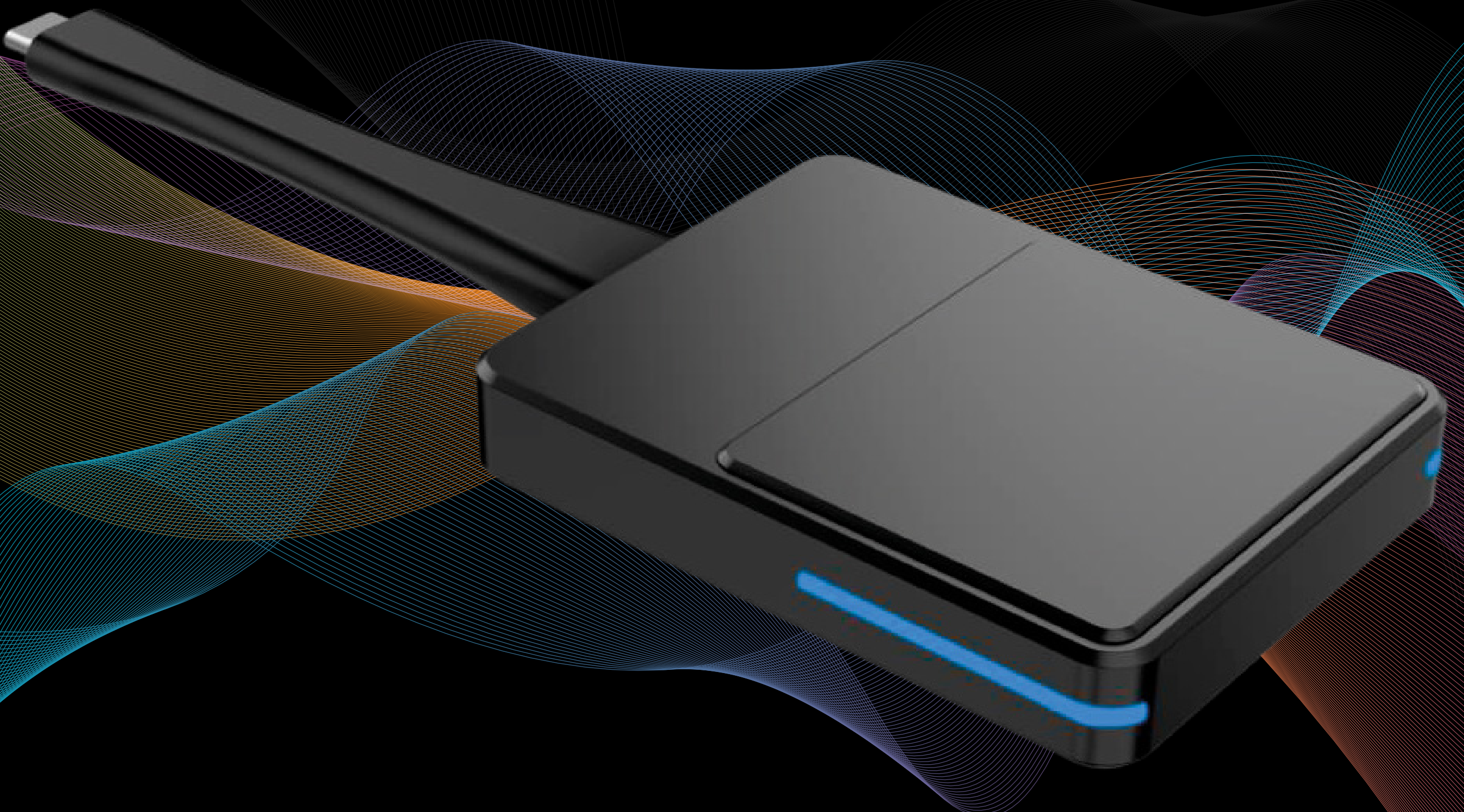
## Guide for using BYOM

- 1** Connect the EShare Dongle to the laptop and wait for the LED to change from blinking to steady blue.
- 2** Use video conferencing software (such as Zoom, Teams, Skype, Google Meet...) to join a meeting, and choose BYOM camera, BYOM microphone, BYOM speakerphone, to directly use the A/V equipment of the interactive display.

## Precautions

Make sure that ESharePro has been activated on the screen. Otherwise, the EShare dongle will not work.

The 2.4Ghz Wi-Fi frequency band is susceptible to interference from surrounding electronic devices, resulting in poor network quality and affecting the user experience. Please use the 5Ghz Wi-Fi signal for a better user experience.





# Specifications

Item	Specifications
Power supply	5V DC from USB-C
Power consumption	3W(Typical)
Ambient temperature	Operating: 0°C~40°C Storage: -15°C~+60°C
Relative humidity (non-condensing)	Operating: 5%~95% Storage: 0%~95%
Package dimensions (H x W x D)	213mm×100mm×30.3mm
Product dimensions (H x W x D)	175mm×58mm×16.5mm
Gross weight	196.5g
Net weight	80g
Wi-Fi	2.4GHz and 5GHz
Wi-Fi operating frequency bands	2412MHz~2472MHz 5180MHz~5240MHz
Maximum Wi-Fi power	1.6mW/MHz
Actual Wi-Fi power	2.4GHz:1.6mW/MHz 5GHz:0.7mW/MHz
Resolution	Up to 4K 30 fps
OS	Windows 7/8/10/11 macOS, Chrome OS, Linux OS, Android OS, Any device supports full featured Type-C (DP Alt mode)