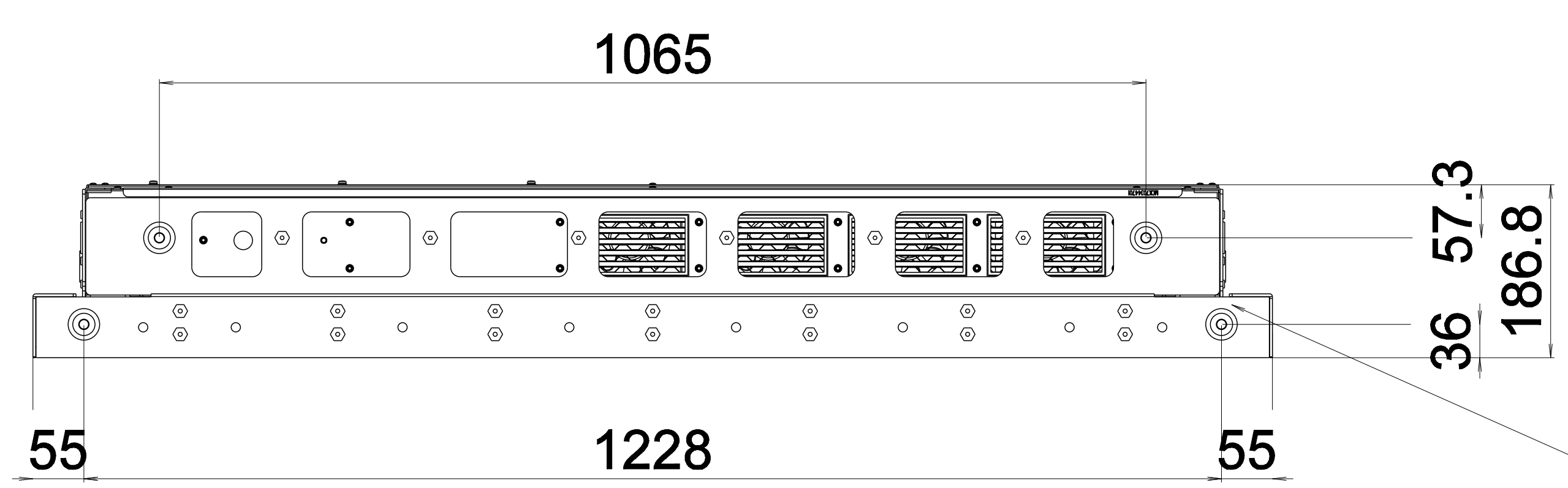
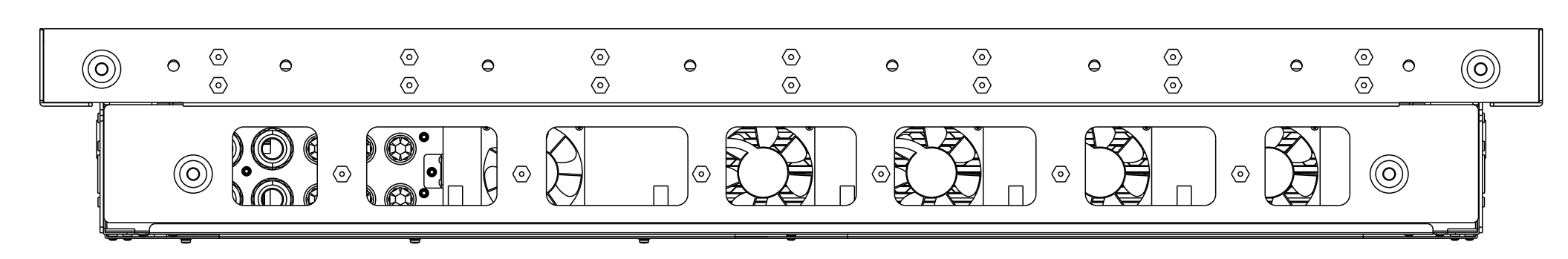
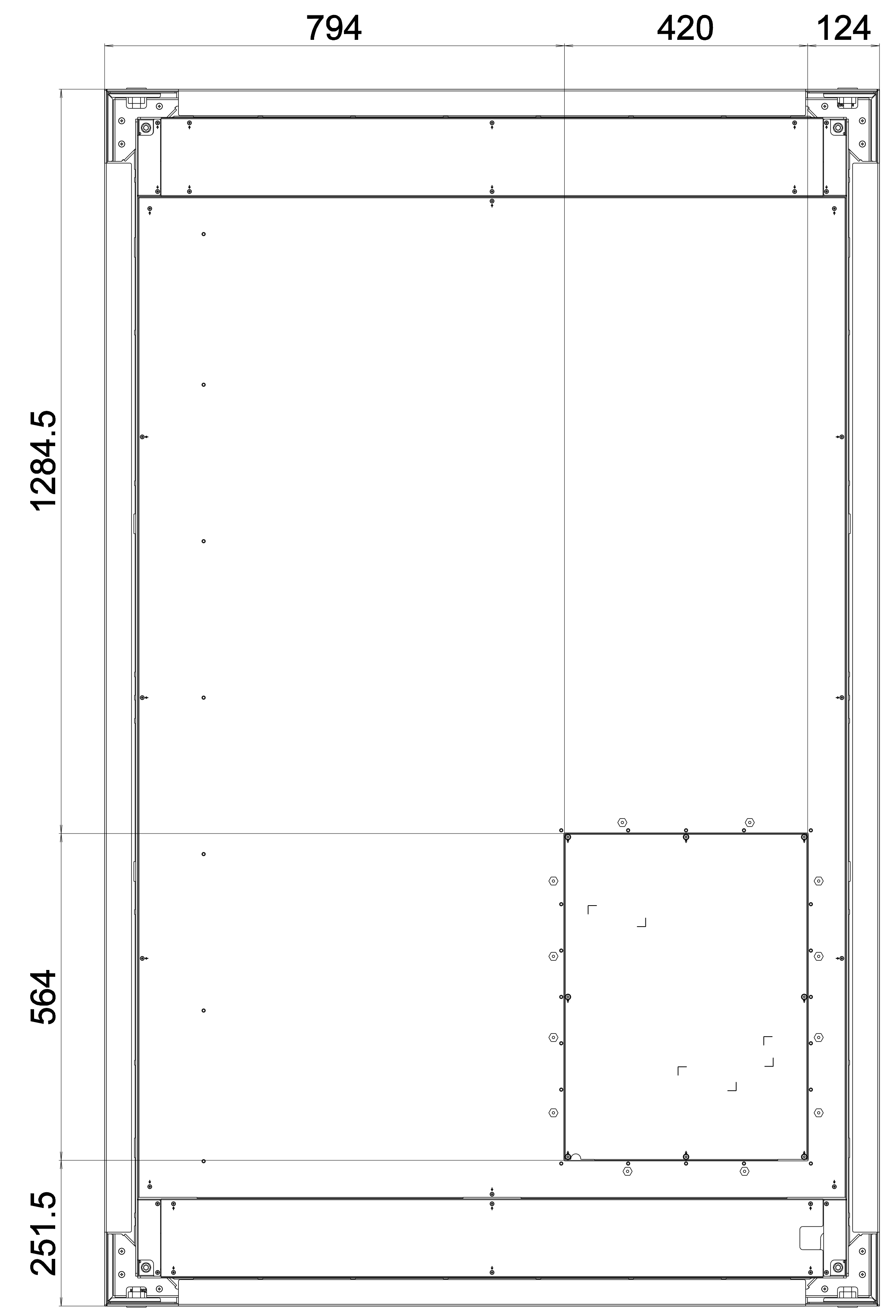
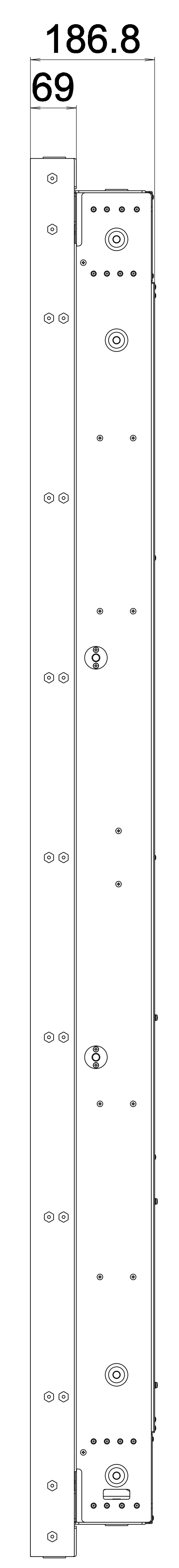
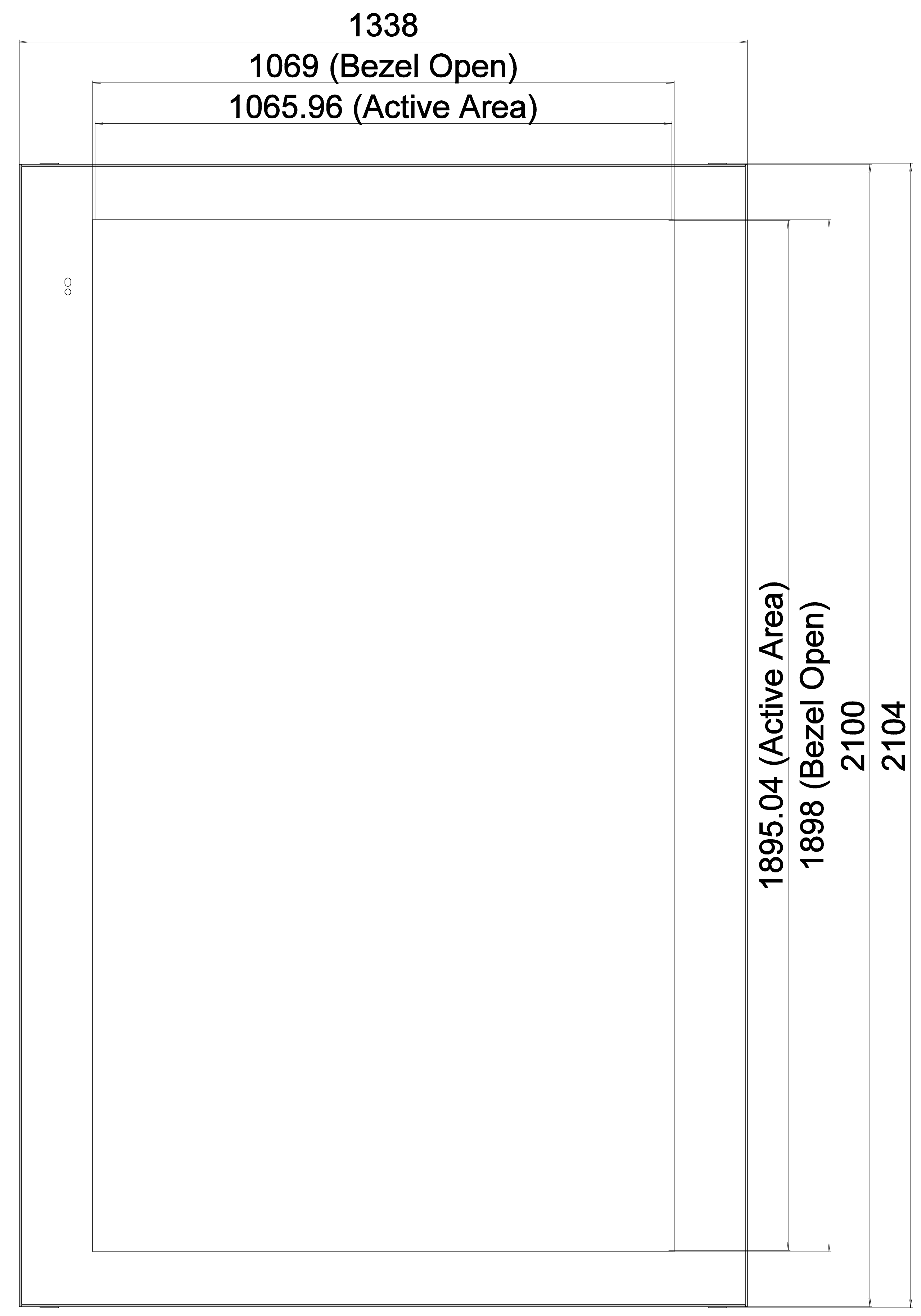
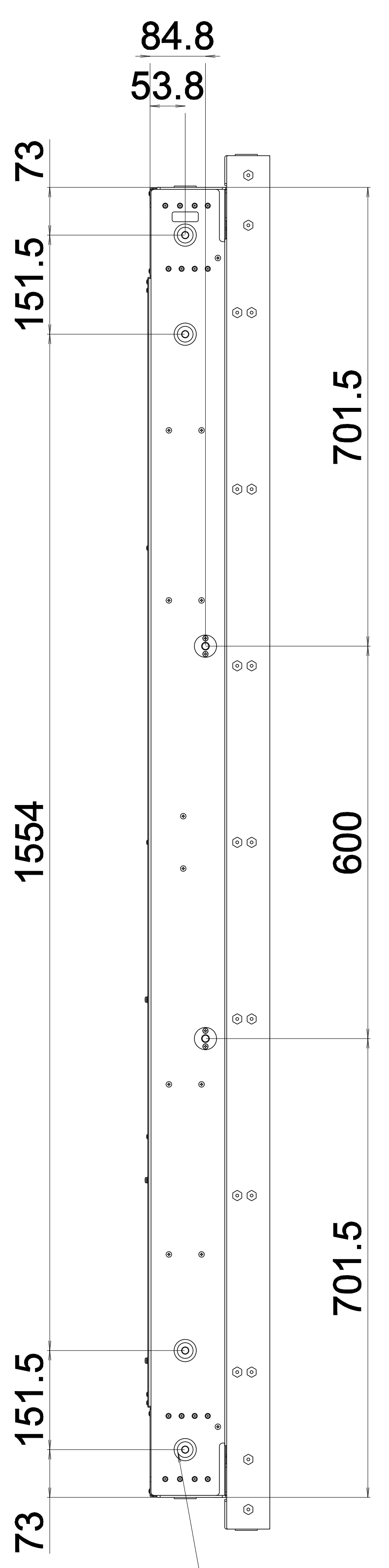


[86XE3FS SET Dimension]

- Unit : mm
- Scale : 1/5 (Dimensions in the drawing are actual dimensions)
- Applied Model : 86XE3FS



[Screw Holes For Enclosure installation]
8-M10, L=20 mm (Max) (Top/Down)



[Screw Holes For Enclosure installation]
12-M10, L=20 mm (Max) (Double Side)