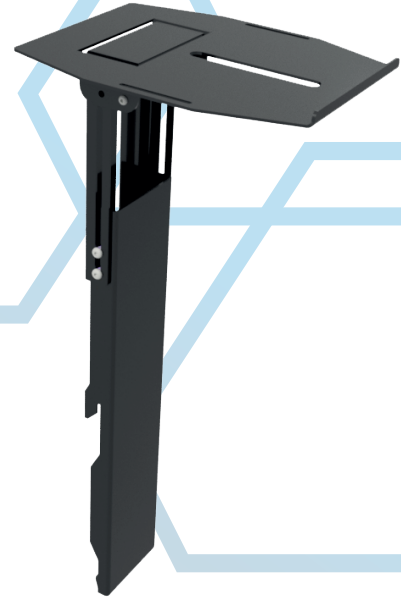


# CH4

## Video Conferencing Camera Holder for TR1,TR2,TR3,TR5,TR51, STD01, STD17,STD17D

SUITABLE FOR 40"-55" SCREENS



### PRODUCT SPECIFICATIONS

Short index	CH4
Product group	Trolleys & Stands
Category	Accessories
Colour	Black
Warranty	Limited 5-years
Minimum screen size	40"
Maximum screen size	55"
Maximum load	2 kg



40"-55"



2 kg

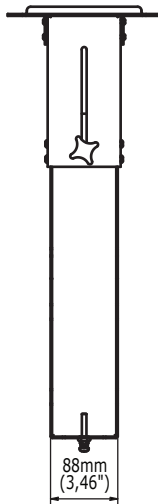


### TECHNICAL SPECIFICATIONS

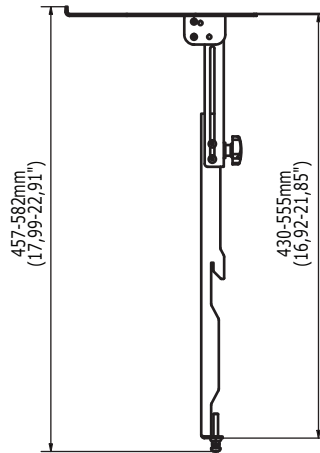
Product dimensions	W: 200 mm D: 250 mm H: 582 mm (W:7,87" D:9,84" H:22,91")
Product weight	2,3 kg (5,07 lb)
Max. distance from mounting surface	555 mm (21.85")
Min. distance from mounting surface	430 mm (16,92")

### TECHNICAL DRAWINGS

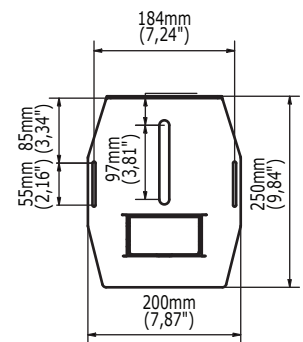
FRONT VIEW



SIDE VIEW



TOP VIEW



### LOGISTICS DATA

SAP INDEX	EAN CODE	COLOUR	PACKAGE DIMENSIONS	PACKAGE WEIGHT
WWTR-CH4	5908252968190	BLACK	530 x 180 x 130 mm 20,87 x 7,09 x 5,12"	2,4 kg 5.29 lb

HS Code (Harmonized System): 732690, HTS Code (Harmonized Tariff Schedule): 7326909890, Country of Origin: Poland