

CM21

CEILING MOUNT WITH ADJUSTABLE DROP

FOR LWB/PWB/TWB, XWB SERIES (WITHOUT MOUNTING ADAPTER)

The CM21 ceiling mount is a solution for those who value aesthetics and precision of design. Equipped with a system that protects the screen against falling, it works perfectly in hotels, restaurants or public buildings. CM21 features a slim structure and simple design. Stepwise height adjustment ensures accurate fastening, and the integrated cable management system allows the cabling to be hidden, guaranteeing aesthetic appearance of any audiovisual installation.

FEATURES

- Height adjustment
- Adjustment of the angle of rotation, tilt
- Simple screen installation
- Simple and quick installation
- Smart cable management
- Includes all necessary screen mounting hardware
- Modern design with high-end finish

PRODUCT SPECIFICATIONS

Short index	CM21
Product group	Display Mounts
Category	Ceiling Mounts
Colour	Black
Warranty	Limited 5-years
Number of screens	1
Minimum screen size	37"
Maximum screen size	65"
Maximum load	60 kg
Forward tilting	-6°/+13°
Height adjustment	Yes



37"-65"



-6°/+13°



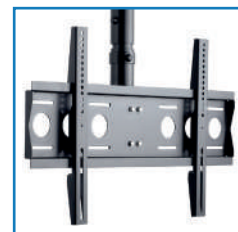
60 kg



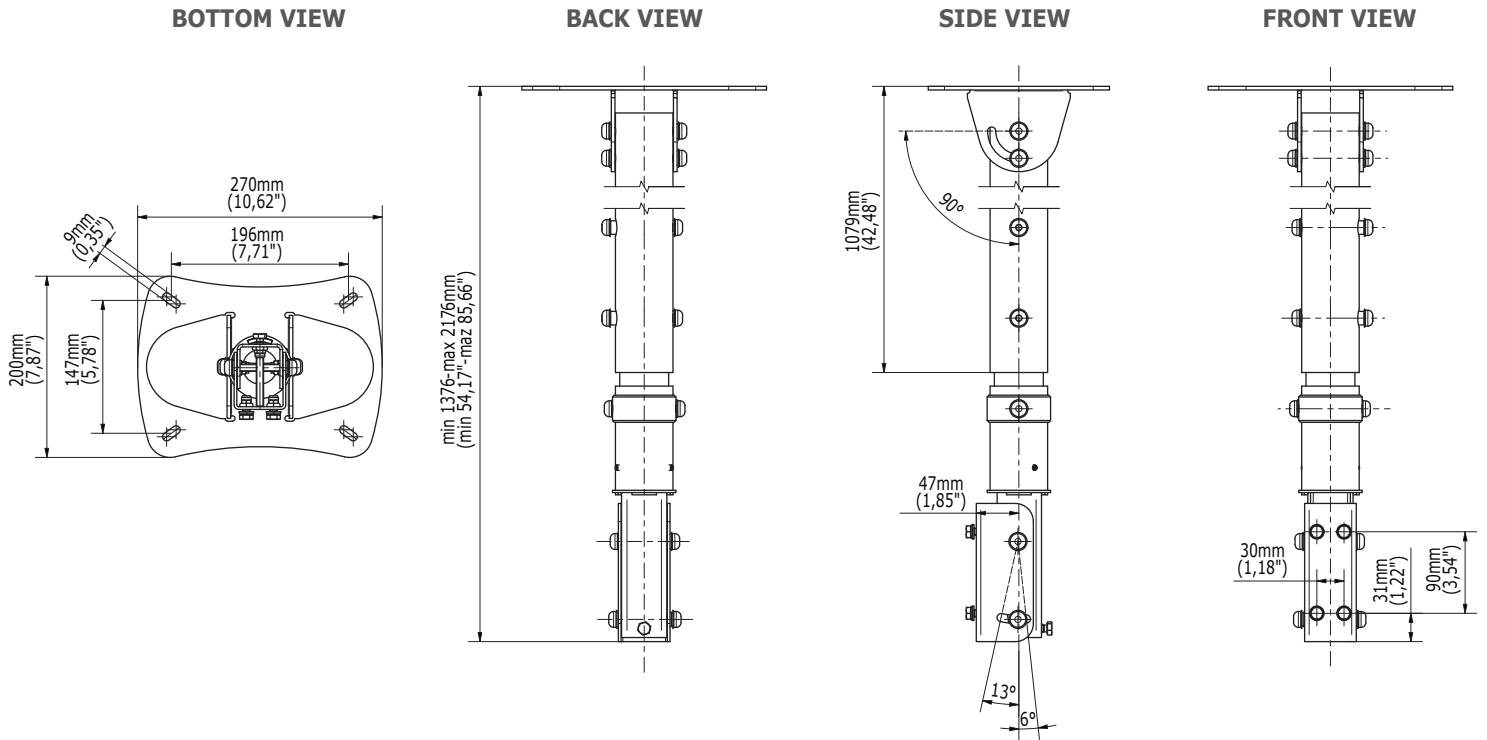
Height adjustment



Tilt adjustment and rotation



Universal mounting possibility


TECHNICAL SPECIFICATIONS

Product dimensions	W: 270 mm D: 200 mm H: 1376 mm (W:10,62" D:7,87" H:54,17")
Product weight	14,5 kg (31,96 lb)
Max. distance from mounting surface	2176 mm (85,66")
Min. distance from mounting surface	1376 mm (54,17")

LOGISTICS DATA

SAP INDEX	EAN CODE	COLOUR	PACKAGE DIMENSIONS	PACKAGE WEIGHT
WUSU-CM21	5902841103849	BLACK	1305 x 215 x 215 mm 51,37 x 8,46 x 8,46"	15,5 kg 34,17 lb

HS Code (Harmonized System): 732690, HTS Code (Harmonized Tariff Schedule): 7326909890, Country of Origin: Poland

ACCESSORIES AND RELATED PRODUCTS


CMS21