

ELTR60

TROLLEY FOR ELWM60

FOR 55"-86" SCREENS

The high-quality ELTR60 trolley looks stylish and modern. It is an excellent choice for users looking for a practical solution that meets the highest expectations. It has been designed to provide comfort during video conferences, speeches or classes. It is mobile, ergonomic and stable. Together with the wall mount with manual height adjustment (ELWM60), it forms the perfect combination, especially for the needs of educational institutions.

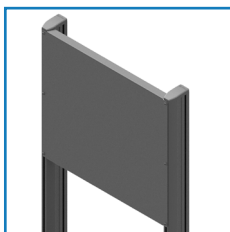


FEATURES

- Universal design
- Stable aluminium and steel construction
- Includes 4 locking castors
- ELWM60 compatible

PRODUCT SPECIFICATIONS

Short index	ELTR60
Product group	Trolleys & Stands
Category	Flat Screen Trolleys Series
Colour	Black
Warranty	Limited 5-years
Number of screens	1
Minimum screen size	55"
Maximum screen size	86"
Maximum load	60 kg
VESA Mounting Compatibility	100x100 up to 600x400



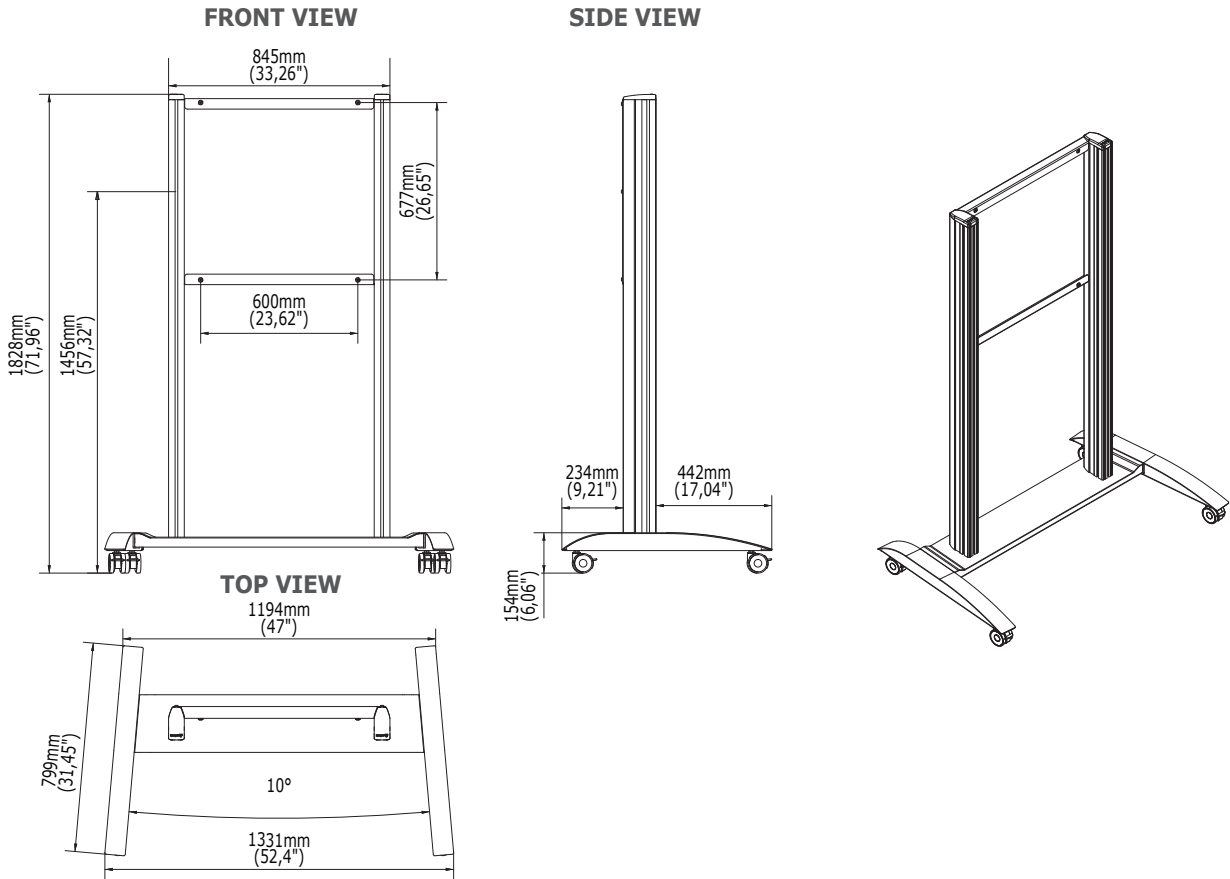
Stable aluminium and steel construction



Universal design



ELWM60 compatible



TECHNICAL SPECIFICATIONS

Product dimensions	W: 1331mm D: 799 mm H: 1828 mm (W:52,4" D:31,45" H:71,96")
Product weight	55 kg (121 lb)
Max. distance from the floor to the center of the screen	1456 mm (57,32")
Min. distance from the floor to the center of the screen	1456 mm (57,32")
Max. mounting pattern	600 mm x 400 mm (23,62 x 15,75")
Min. mounting pattern	100 mm x 100 mm (3,93 x 3,93")

LOGISTICS DATA

SAP INDEX	EAN CODE	COLOUR	PACKAGE DIMENSIONS*	PACKAGE WEIGHT
WWTR-ELTR60	5902841100787	BLACK	1)2x 1811 x 143 x 74 71,29 x 5,62 x 2,91" 2)1140 x 240 x 170 44,88 x 9,44 x 6,69 "	60,5 kg 125 lb

HS Code (Harmonized System): 732690, HTS Code (Harmonized Tariff Schedule): 7326909890, Country of Origin: Poland

***the product is packaged in three cartons**

ACCESSORIES AND RELATED PRODUCTS



ELWM60



TRV100