



Specifications

EO Converter CVT320

Feature

CVT320 is Nova EO converter device. It has the following characteristics:

- 1) 1 cable interface, 1 fiber interface;
- 2) 100~240V AC 50/60HZ power supply;
- 3) Use single-mode dual-core optical fiber with LC interface, the transmission distance is 15KM;
- 4) No driver required, immediately use after connection.

XI'AN NOVASTAR TECH CO., LTD.

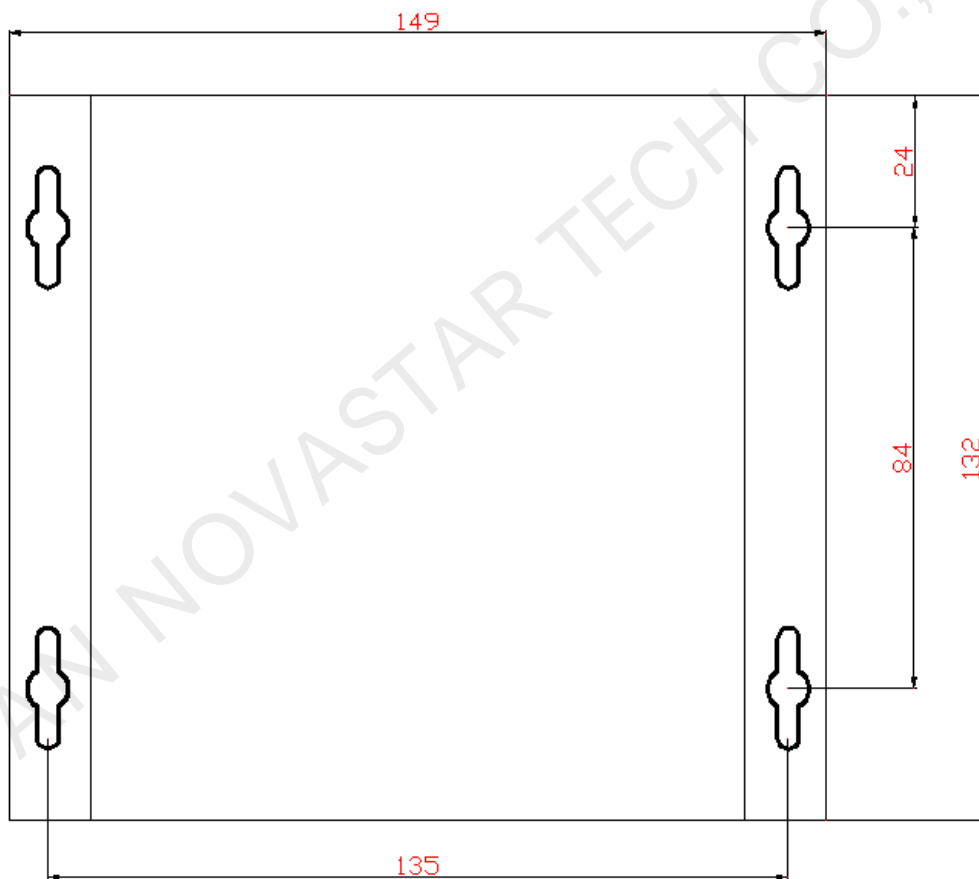
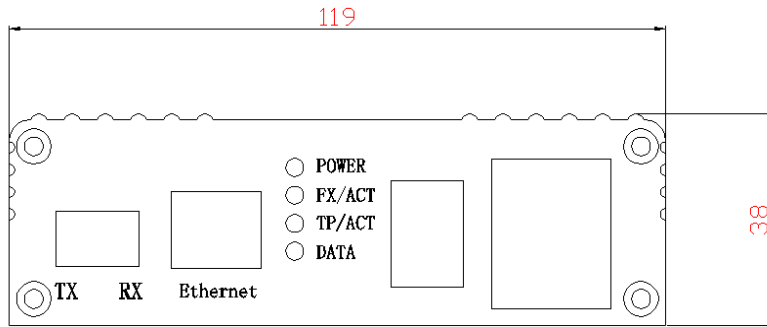
Appearance description



LED Indicator	
POWER	Power Indicator
FX/ACT	When optical fiber communications between two CVT320 are normal, the indicators at two sides are on; when there are communications problems between optical fibers, only one indicator is on or two indicators are off.
TP/ACT	When network cable communications from sending card to CVT320 or from CVT320 to receiving card are normal, this indicator is on continuously, or else it is off.
DATA	Only when both FX/ACT and TP/ACT indicators are on continuously, DATA indicator close to CVT320 at the end of the receiving card rapidly flashes, or else it doesn't flash.
POWER	
AC-100-240V-50/60HZ	AC Power interface

Dimension

Unit: mm



Specification Parameters

AC INPUT	Rated voltage (V)	220	Maximum	240	Minimum	100
	Rated current (A)	Maximum		0.7		
DC OUTPUT	Rated voltage (V)	5				
	Rated current (A)	5				

XI'AN NOVASTAR TECH CO., LTD.