

traulux

Powered by **Unilumin**

UMG2 500x500 Indoor Die-Cast Aluminum LED DISPLAY UNIT



Main Technical Specifications

Pixel Pitch	2.97mm
LED Type	3 in 1 SMD
LED configuration	1 Red, 1 Green, 1 Blue
Brightness <Max>	≥ 800 cd/m ²
Pixel Density	112,896 pixels/m ²
Module Size	W 250mm x H 250mm
Cabinet Size	W 500mm x H 500mm x D72mm
Aspect Ratio	1:1
Pixels Per Panel	168x168 Dots
Area	0.25 m ²
Weight	6.75 kg / panel
Recommended Viewing Distance	≥ 2.9 m
Material	Die - cast Aluminum
Environment	Indoor
Ingress Protection	IP 30
Operating Temperature / Humidity	-10°C~+45°C/10~80%RH
Storage Temperature / Humidity	-20°C~+50°C/10~80%RH
Maintenance	Rear
Gap Between Modules	Seamless
Horizontal Viewing Angle	140°
Vertical Viewing Angle	120°
Color Temperature	2000-9300K Adjustable
Colors	281.4 Trillion
Brightness Control	Manual/Automatic
Contrast Ratio	3000:1
Input Power <Max>	150 W/panel
Input Power <Typical>	50 W/panel
Driving Method	1/21 Duty Constant Current Drive
Video Frame Rate	50/60 Hz
Refresh Rate <Max>	≥3840Hz
Input Voltage	200~240VAC
Input Power Frequency	50~60 Hz
Input Signal	DVI/HDMI/VGA/SDI/DP/AV/S-Video, etc
Calibration	Support Brightness and Chroma
Acoustic Noise	Fanless Operation
LED Life Time	≥100,000 Hours
LED Wavelength	R:620~630nm G:520~535nm B:465~475nm
Standart Mounting Configuration	Hanged, Floor-mounted (Optional Accessories)
Professional Services	Design, Configuration, Install and Service Available
Power Status	Diagnostic LEDs
Data Interconnection	Network Cable (L≤100m); Multi-mode Fiber (L≤300m); Single Mode Fiber (L≤15Km)

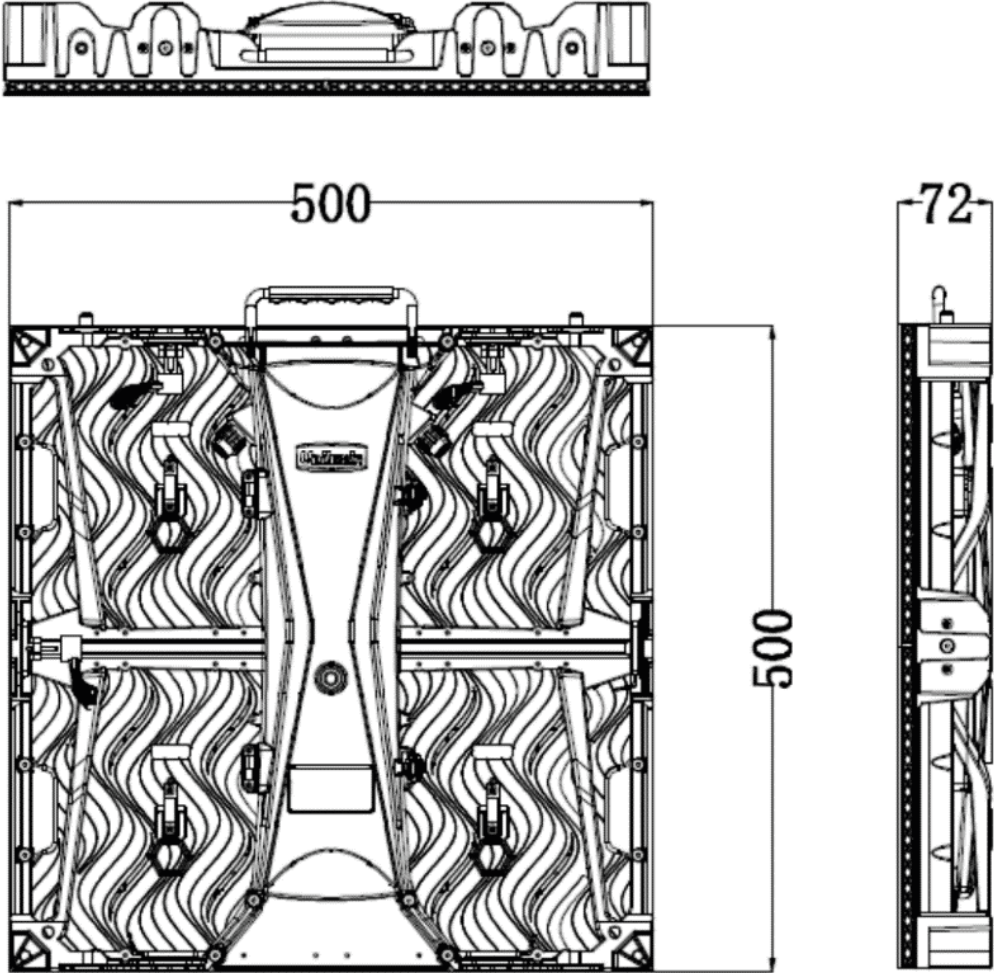


Figure 1 Cabinet Drawing

