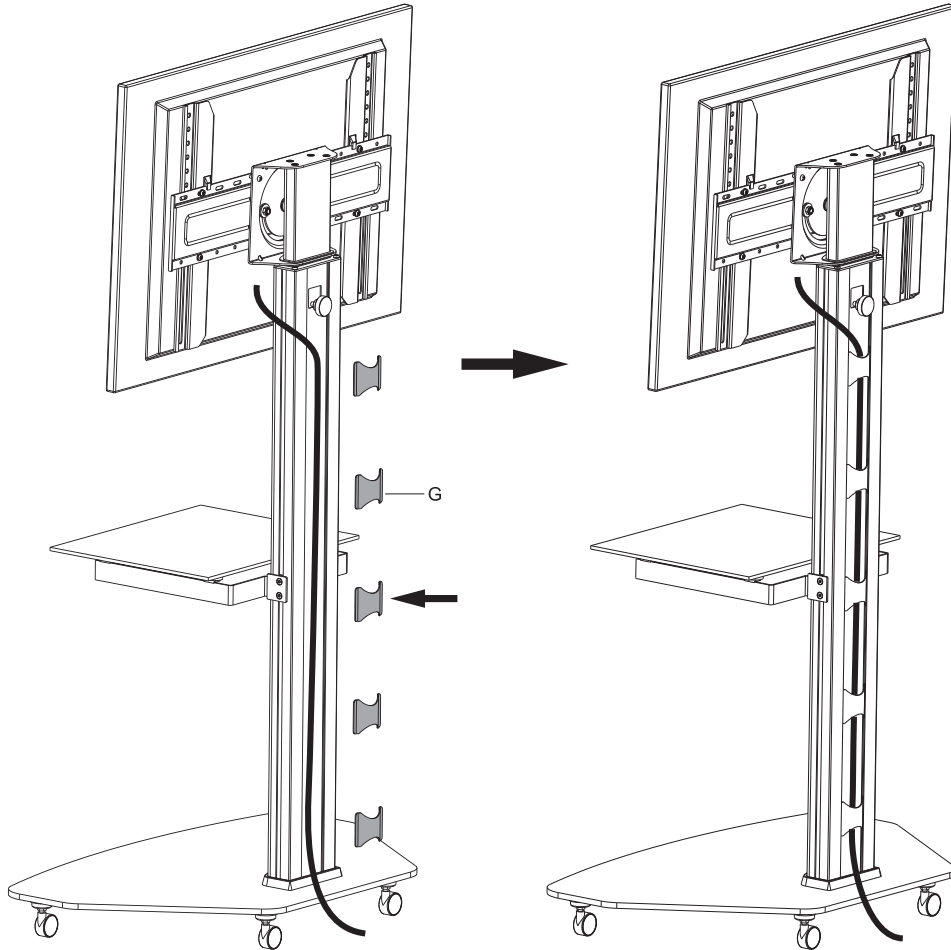


### 8. Cable Management

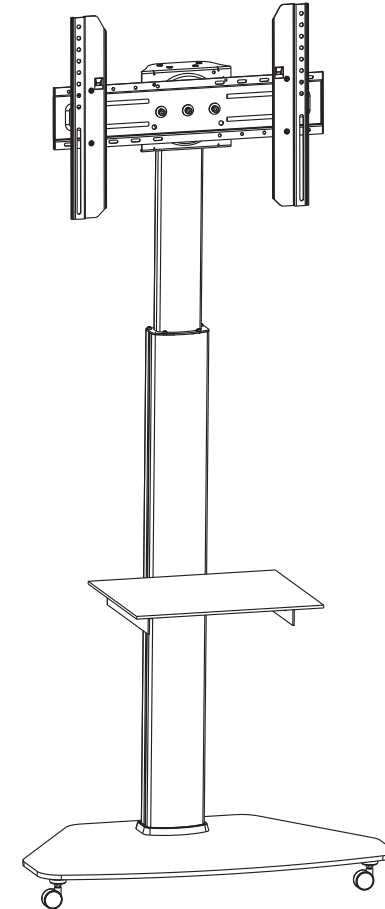


Route cables along the column.  
Attache the cable cover to the column to hold cables in place.

#### Maintenance

- Check that the bracket is secure and safe to use at regular intervals(at least every three months).
- Please contact your dealer if you have any questions.

# Flat Panel Display Cart



**CAUTION: DO NOT EXCEED MAXIMUM LISTED WEIGHT CAPACITY. SERIOUS INJURY OR PROPERTY DAMAGE MAY OCCUR!**

**FS01G**



400x200/300x300  
400x400/600x400



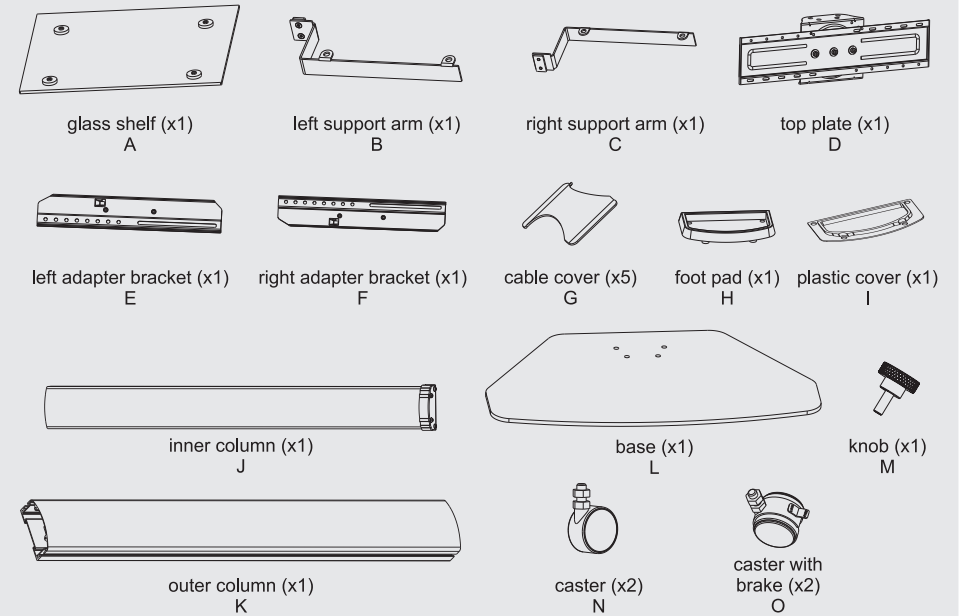
ISSUED: DEC. 2012

**NOTE:** Read the entire instruction manual before you start installation and assembly.

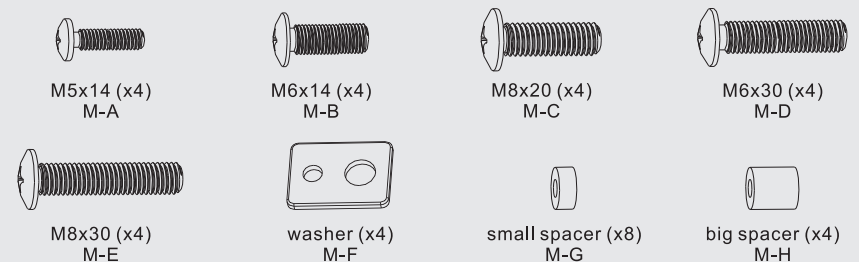
## ⚠ WARNING

- Do not begin the installation until you have read and understood the instructions and warnings contained in this installation sheet. If you have any question regarding any of the instruction or warning, please contact your local distributor.
- This mounting bracket was designed to be installed and utilized **ONLY** as specified in this manual. Improper installation of this product may cause damage or serious injury.
- Always use assistant or mechanical lifting equipment to safely lift and position equipment.
- Tighten screws firmly, but do not over tighten. Over tightening can damage the items, greatly reducing their holding power.
- This product is intended for indoor use only. Using this product outdoors could lead to product failure and personal injury.
- The display stand is not affixed or secured to the floor and may therefore tip over or fall if screen or stand is shaken or hit. Do not let children play alone around stand as they could get hurt by a falling screen. Not recommended for use in areas with heavy traffic.

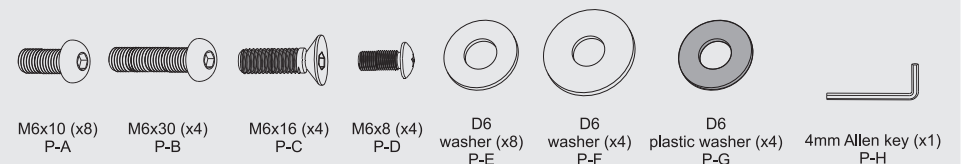
**IMPORTANT:** Ensure you have received all parts according to the component checklist prior to installing. If any parts are missing or faulty, telephone your local distributor for a replacement.



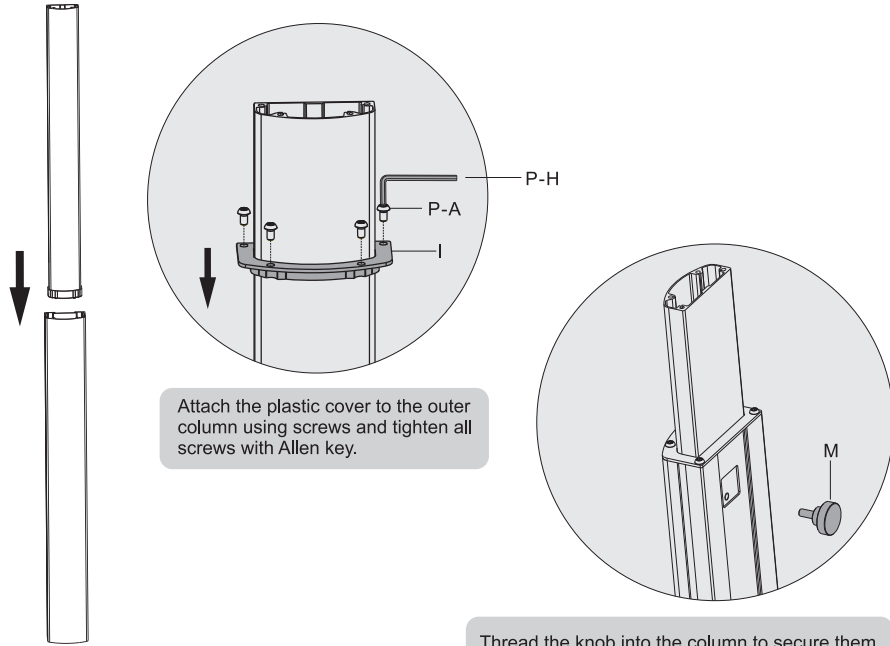
### Package M



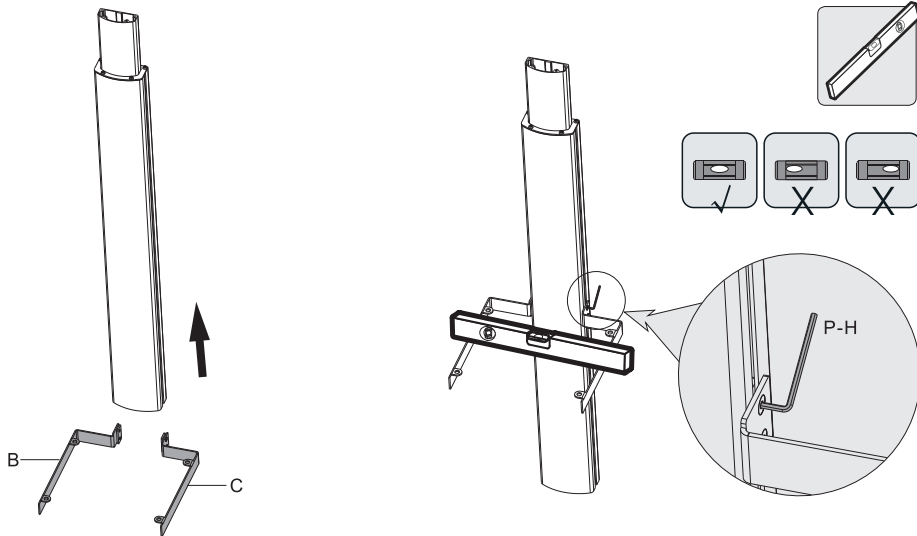
### Package



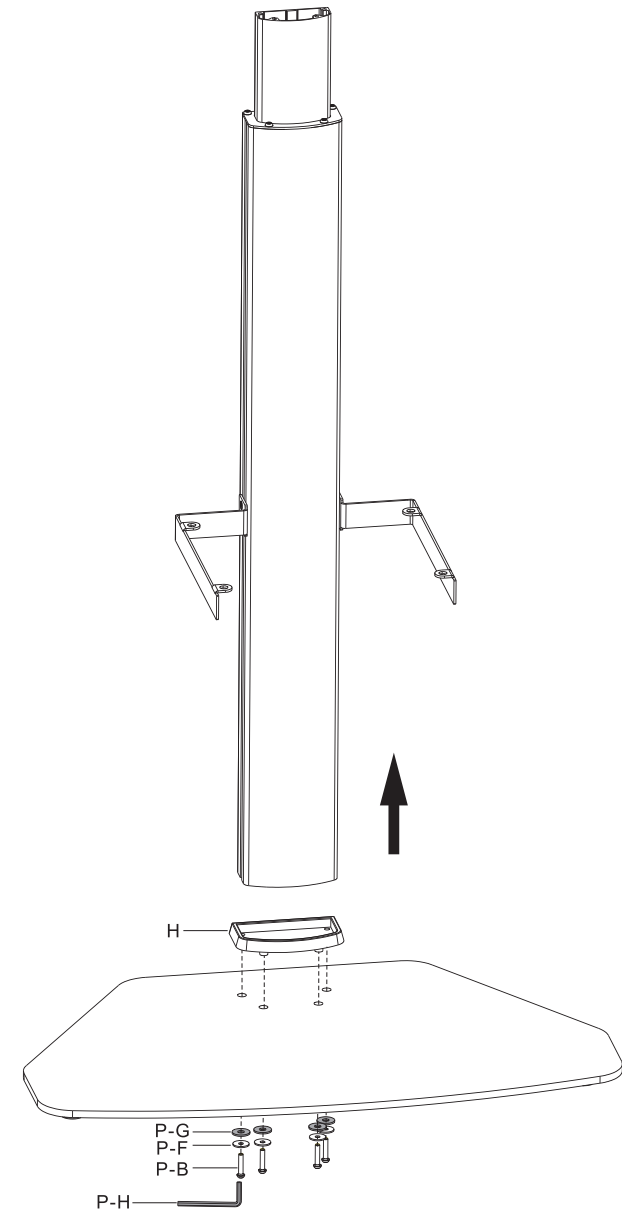
## 1. Install the Columns and the Support Arms



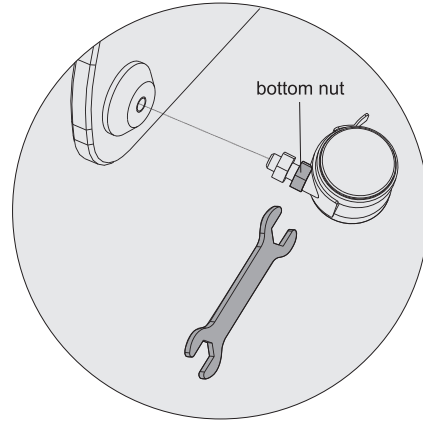
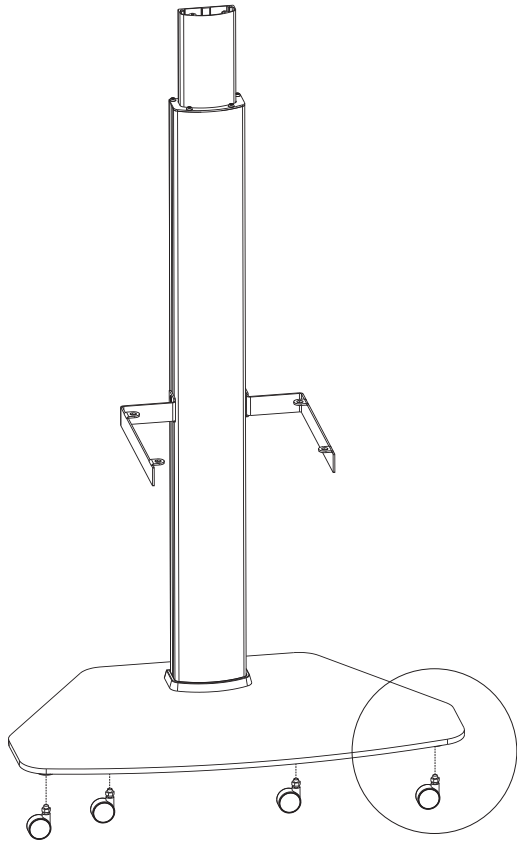
Insert the inner column into the outer column at the desired position.



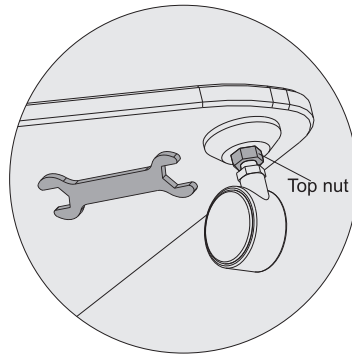
## 2. Install the Base



### 3. Install the Casters

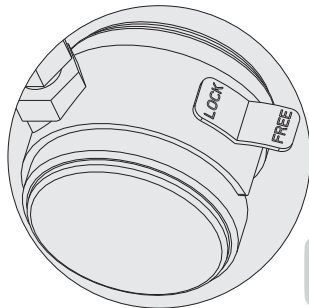


Install the casters into the base holes and tighten bottom nuts of casters at the desired height.



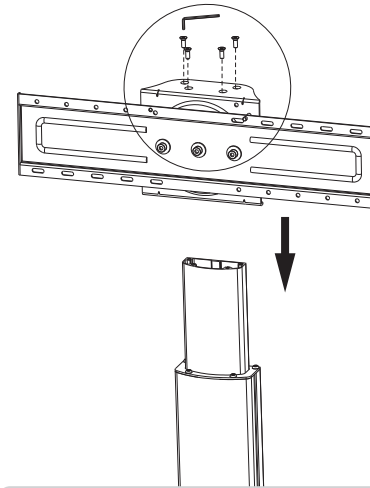
Tighten all top nuts to secure them.

**Note:** Make sure all casters are in the same height.

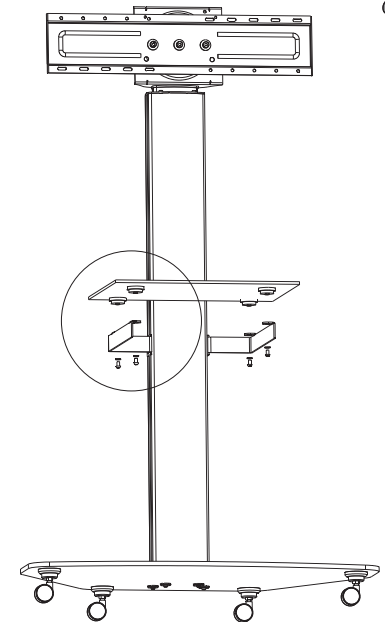
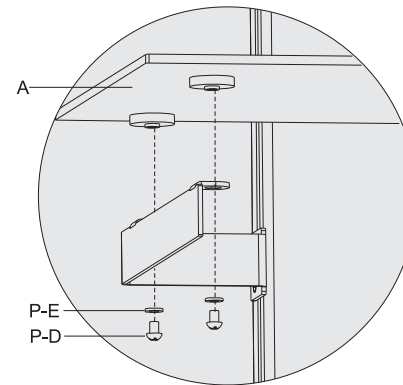
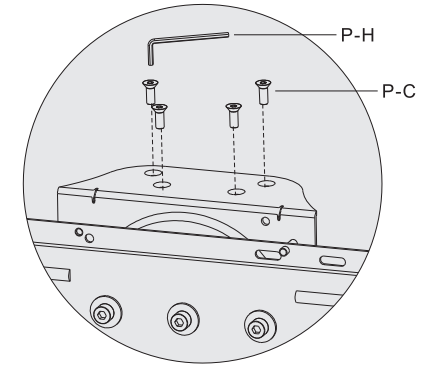


**Note:** Lock brakes on casters to avoid sudden movements during installation.

### 4. Install the Top Plate and the Glass Shelf

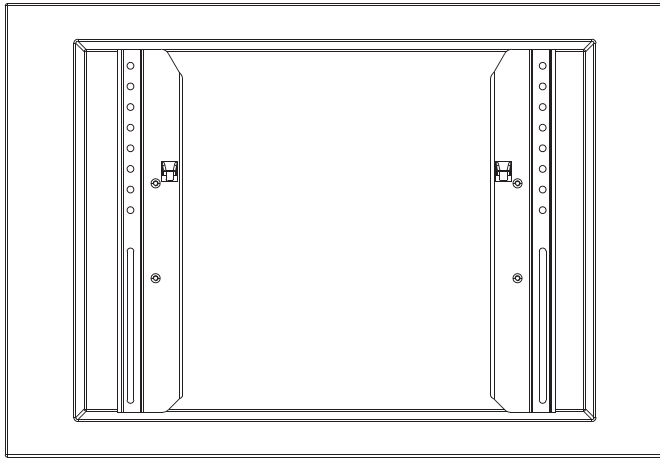


Insert the top plate into the column and secure with screws.



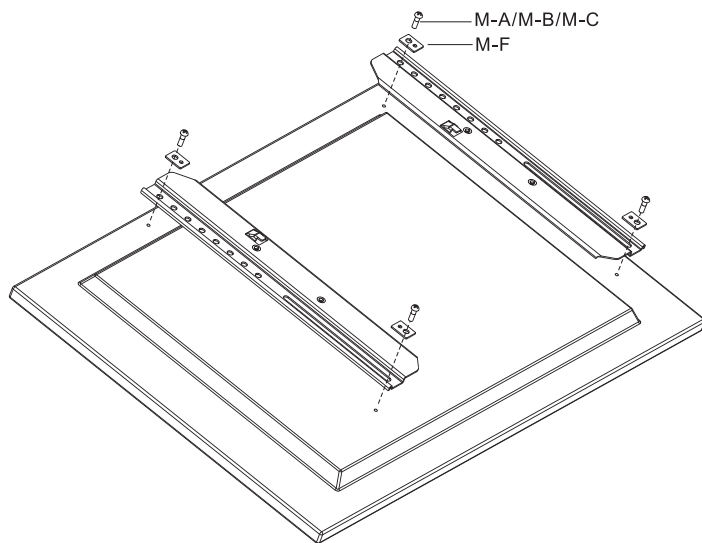
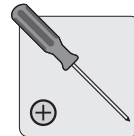
Attach the glass shelf to the installed support arms using the screws and washers, and tighten all screws with a proper screwdriver.

## 5. Install Adapter Brackets

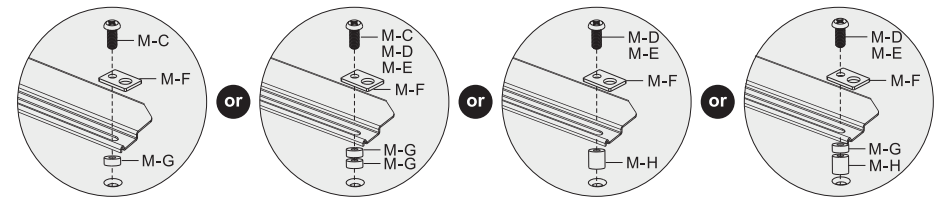
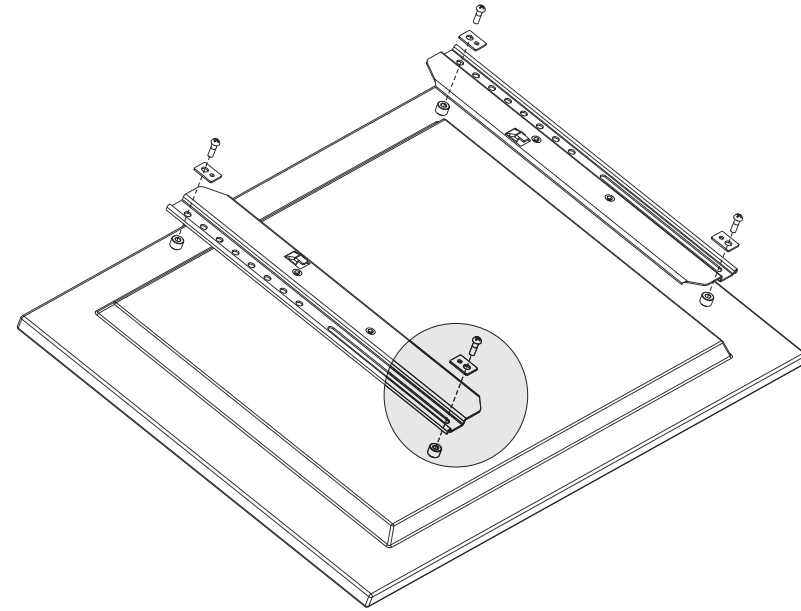
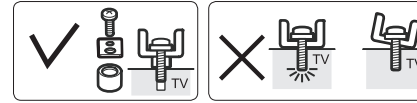


Top of TV

### 5-1 For Flat Back Screen



### 5-2 For Recessed Back Screen

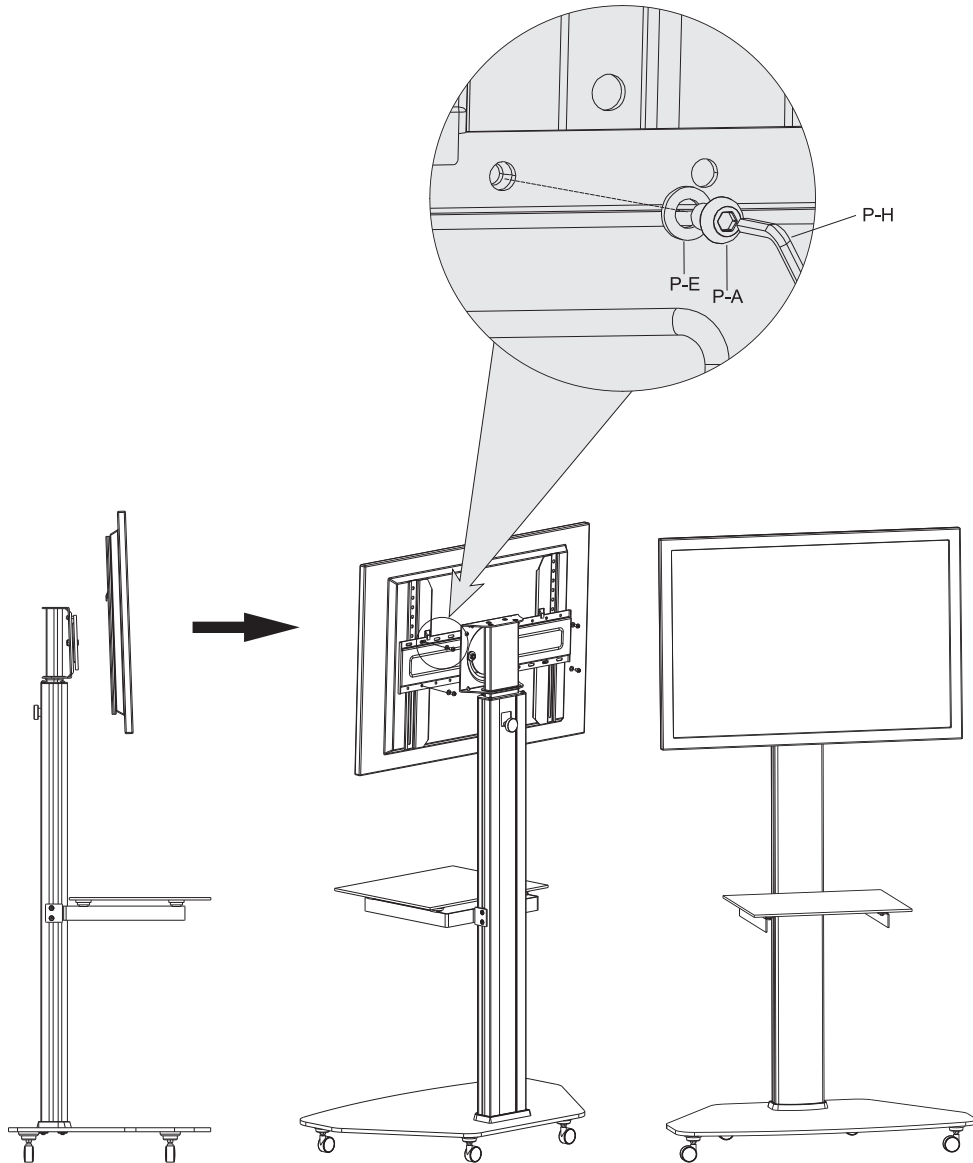


- Note:** Choose appropriate screws, washers and spacers (if necessary) according to the type of screen.
- Position the adapter brackets as close as possible to the center of the TV.
  - Screw the adapter brackets onto the TV.

**Tighten all screws but do not over tighten.**

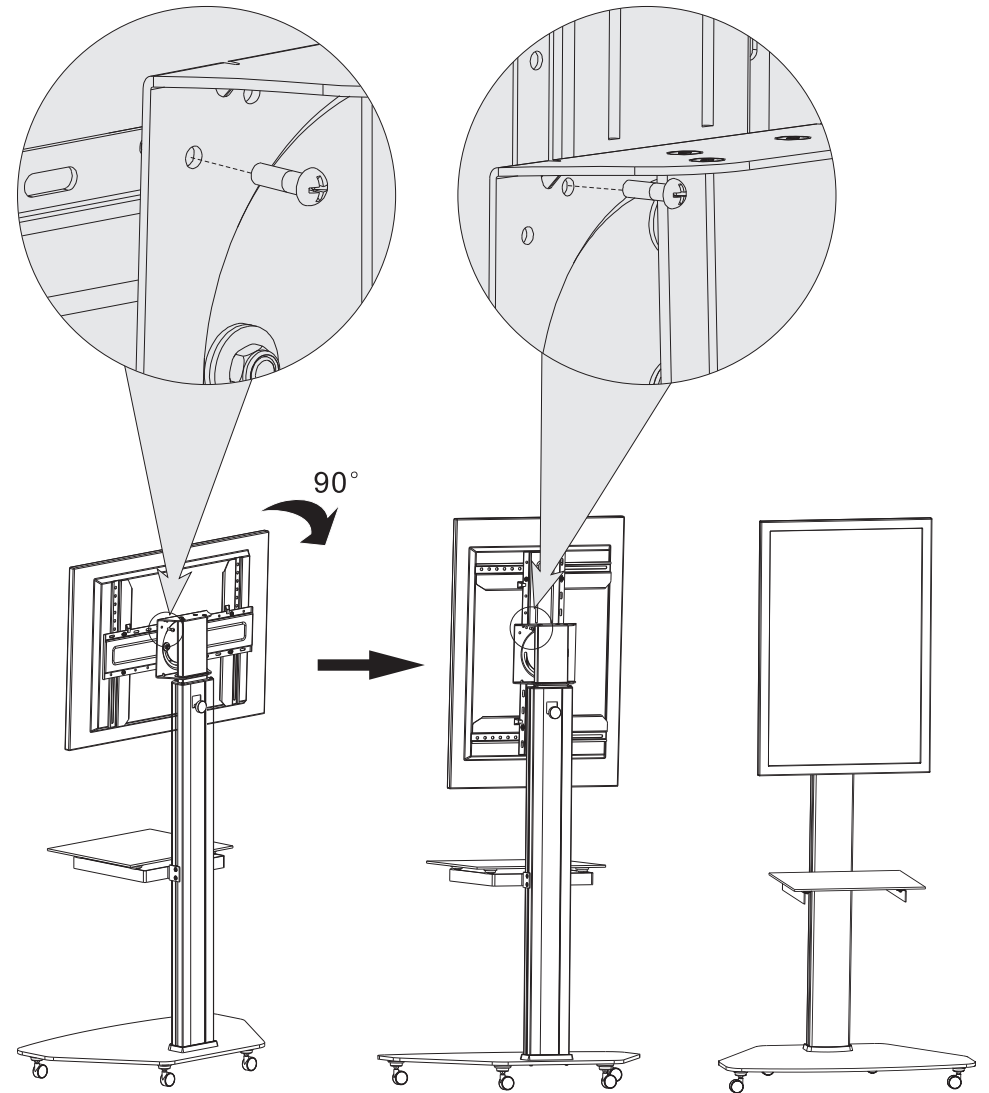
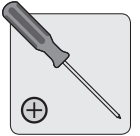
## 6. Install the TV

### 6a. Landscape Viewing



Attach the TV to top plate with the appropriate combination of screws and washers.

### 6b. Portrait Viewing



Remove the screw on the top plate to rotate the TV (with attached brackets and top plate 90°, Secure with just removed screw in another position.