

## Features

- ▶ USB 3.1 (Gen 2) - 10Gbps data transmission
- ▶ Gold plated precision contacts, EMI resistance, low attenuation
- ▶ USB-A male to USB-B male, full-metal housing
- ▶ Hybrid cable – Fiber for data; copper for power, Ø 4.5mm
- ▶ AOC technology - no external power supply required

### Connections

Connector Material	Full-Metal Zinc Alloy
Contact Material	Gold Plated
Connector 1	USB-A Male
Dimensions Connector 1	40 x 18 x 9 mm
Connector 2	USB-B Male
Dimensions Connector 2	36.3 x 12 x 13.3 mm

### Cable

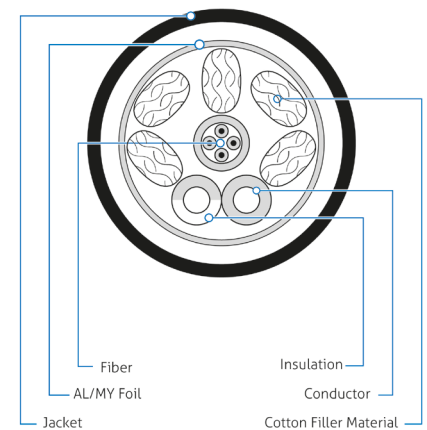
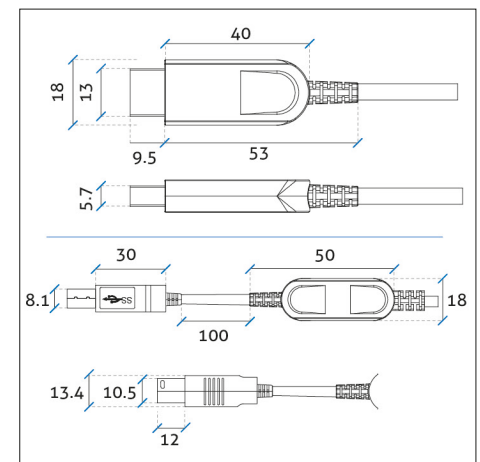
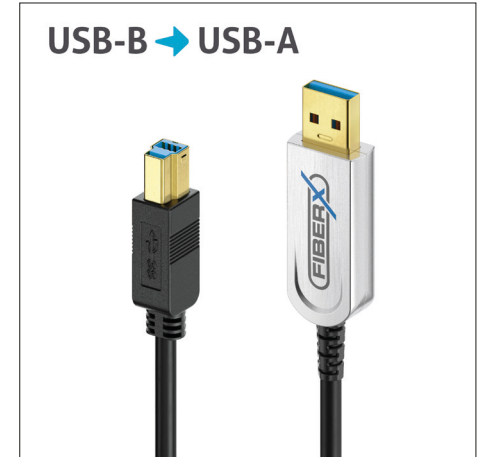
Type	AOC Fiber Optic / Copper Hybrid Cable
Construction	4x OM3 Fiber Optic, 2x Copper Conductors
Jacket Outer Material	PVC
Cable Outer Diameter	4.5mm
Minimum Bending Radius	90mm (dynamic), 45mm (static)
Tensile Strength	157N / ca. 16kg
Crush Resistance	1000N per 100mm

### Signal Transmission

Transmission Modes	Data over Fiber, Power over Copper
Standard	SuperSpeed USB 10Gbps (SuperSpeed+ or USB 3.0 / 3.1 / 3.2 Gen2)
Compatibility	No Backwards Compatibility with USB 2.0 / 1.1
Bandwidth	10Gbps / 900MBps
Converter	2-Channel 850nm VCSEL Array / 2-Channel GaAs PD Array
Power Transmission	max. 5V / 0.9A / 4.5W

### General

Transmission Distance	Up to 30m
Operation / Storage Temperature	-10~50°C / -20~60°C
Power Connector	No external Power Supply required (draws power from source device)
Power Consumption	< 0.5 W (max.)
Compliance	CE, FCC, ROHS, UL13



## FX-I545 Overview

Parent	Art.-No.	Length	Colour	EAN
FX-I545	FX-I545-005	5.00m	black	4251364727454
	FX-I545-010	10.00m	black	4251364727461
	FX-I545-015	15.00m	black	4251364727478
	FX-I545-020	20.00m	black	4251364727485
	FX-I545-030	30.00m	black	4251364727492