

GD03

PIVOTING WALL MOUNT

FOR 10"-29" SCREENS

LANDSCAPE
OR PORTRAIT
ORIENTATION
OF SCREEN



Typical universal wall mount for small screens. It's simple design makes it quick and easy to install on walls of various structures. 360 ° rotation and a minimum distance of 25 mm from the wall make it extremely functional. GD03 occupies a small area and has the option of positioning the screen vertically or horizontally. Modern design and high-end finish will meet the most demanding customers' expectations. GD03 is a mount perfect to screen installation in a hotel room or in a small waiting room.

FEATURES

- 360° screen rotation
- Minimum distance: 25 mm
- Safety feature
- Easy and quick installation by one person
- Lock screw to prevent unauthorised screen removal

PRODUCT SPECIFICATIONS

Short index	GD03
Category	Flat Wall Mounts
Product group	Display Mounts
Colour	Black
Warranty	Limited 5-years
Number of screens	1
Minimum screen size	10"
Maximum screen size	29"
Maximum load	10 kg
VESA Mounting Compatibility	75x75 up to 100x100



10"-29"



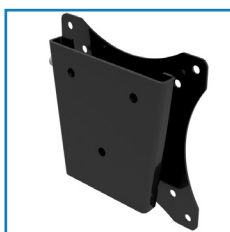
75x75
100x100



10 kg



360° screen rotation

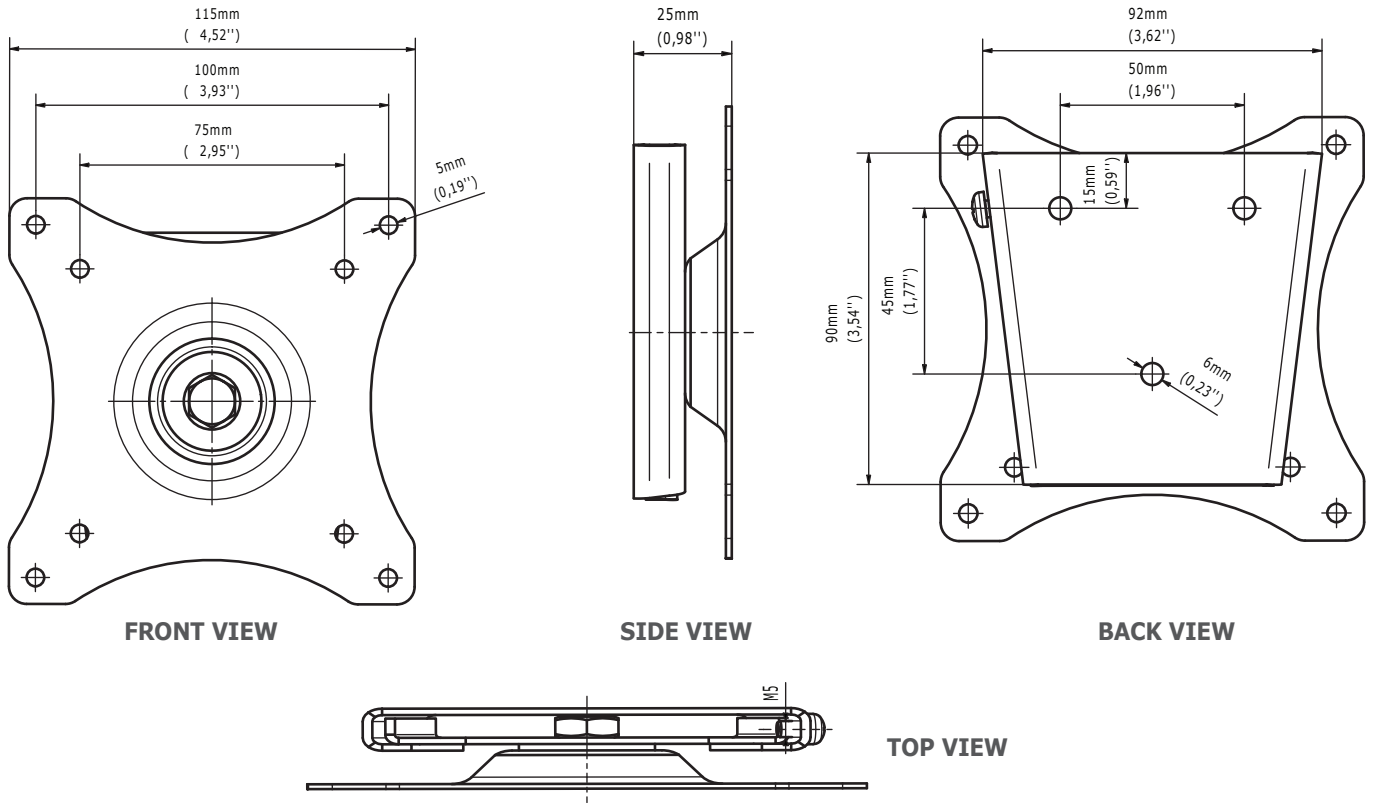


Minimum distance: 25 mm



Safety feature

TECHNICAL DRAWINGS



TECHNICAL SPECIFICATIONS

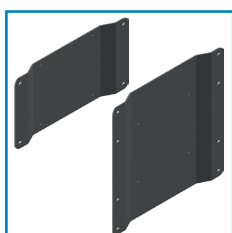
Product dimensions	W: 115 mm D: 25 mm H: 115 mm (W:4,53" D:0,98" H:4,53")
Product weight	0,5 kg (1 lb)
Max. distance from mounting surface	25 mm (0,98")
Min. distance from mounting surface	25 mm (0,98")
Max. mounting pattern	100 mm x 100 mm
Min. mounting pattern	75 mm x 75 mm

LOGISTICS DATA

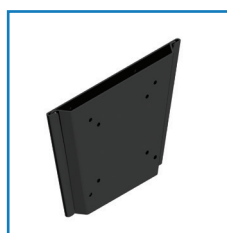
SAP INDEX	EAN CODE	COLOUR	PACKAGE DIMENSIONS	PACKAGE WEIGHT
WUSC-GD03c-B	5902841103467	BLACK	140 x 140 x 50 mm 5,51 x 5,51 x 1,97"	0,52 kg 1 lb

HS Code (Harmonized System): 732690, HTS Code (Harmonized Tariff Schedule): 7326909890, Country of Origin: Poland

ACCESSORIES AND RELATED PRODUCTS



VESA adapters:
GDA1/GDA2



GD22



GD04