

# PureLink

---

## VIDEOBAR EXTENSION MICROPHONE

---



## USER MANUAL

 **Vuelogic**

VL-MIC100





## TABLE OF CONTENTS

Introduction .....	3
Features .....	3
Package Contents .....	4
Specifications .....	4-5
Panel Description .....	6-7
Installation .....	8-9
Application .....	10-13
CE conformity .....	13
Disposal of device .....	14
Warranty and Liability .....	14
Disclaimer of liability .....	15
Trademark .....	15

## INTRODUCTION

This MIC100 is an add-on microphone for the VB300 Videobar and is designed to extend pickup distance. It is ideal for applications in larger meeting room environments, where the range needs to be extended above 8m.

## FEATURES

- 4x MEMS omnidirectional microphone arrays with a range of 3 meters.
- Supports AEC (Acoustic Echo Cancellation), AGC (Automatic Gain Control), ANS (Automatic Noise Suppression) and full duplex communication, making all participants feel like they are talking face-to-face.
- Supports cascading of up to six microphones for extending pickup range.
- Mic mute button with LED feedback.
- Able to work with VL-VB300 for audio signal extension.



## PACKAGE CONTENTS

1x Microphone

1x 7m Mini USB to Mini USB Cable

2x Mini USB to RJ45 Connectors

1x Ceiling Mounted Bracket

## SPECIFICATIONS

### **Audio and Video:**

Input/Output: Mini USB

### **Microphone:**

Microphone: 4x Omnidirectional microphone arrays  
Pick-up Range: 3m

### **Communication and Control:**

USB: Mini USB

---

**GENERAL:**

---

Operating  
Temperature      0°C ~ 40°C

---

Storage  
Temperature      -20°C ~ 60°C

---

Humidity          10% to 90%, non-condensing

---

Power Supply     Powered by Video Bar

---

Power  
Consumption      1.5W (Max)

---

Dimension        123mm x 36mm

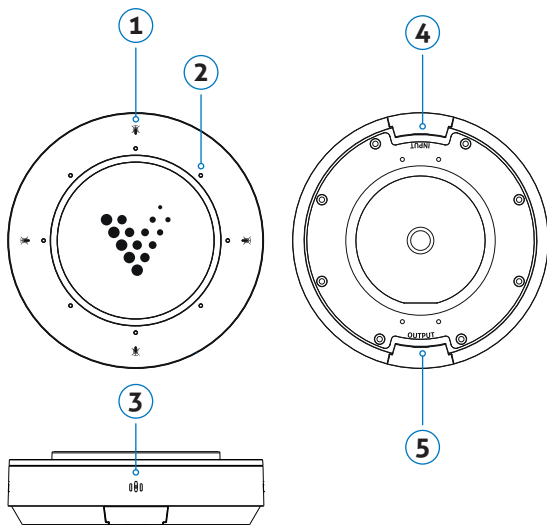
---


Net Weight        0.29kg

---



## PANEL DESCRIPTION



ID	NAME	DESCRIPTION
1		<p>4x Mute/Unmute buttons.</p> <p>Press any of these buttons to mute or unmute all microphones, including the one at the Video Bar and all other MIC100 units.</p>
2	Status LED	<ul style="list-style-type: none"> <li>• <b>4x solid white LEDs</b> next to the symbol: The microphone is working properly.</li> <li>• <b>4x blinking white LEDs</b> next to the symbol: The microphone is being upgraded.</li> <li>• <b>3x solid blue LEDs</b> in the direction of a sound: The microphone is picking up sound. (Once the microphone completes pickup, the LEDs will turn off.)</li> <li>• <b>All LEDs solid red:</b> The microphone is muted.</li> </ul>
3	Microphone	4x omnidirectional microphone arrays for picking up sound.
4	Input	Connect to the video bar or the upper level microphone. This port supports power input.
5	Output	Connect to the other extendable microphone. This port supports power output.



## INSTALLATION

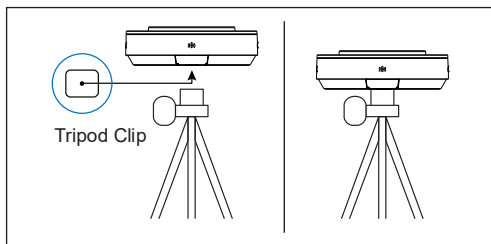
Before installation, please ensure the device is disconnected from the power source.

The device can be installed on a tripod or any flat surface.

To install the device on a tripod:

1. Screw the tripod's clip into the 1/4" (British standard) thread hole at the device's bottom.
2. Secure the device along with the clip on the tripod, adjust them to a position and height you desire.

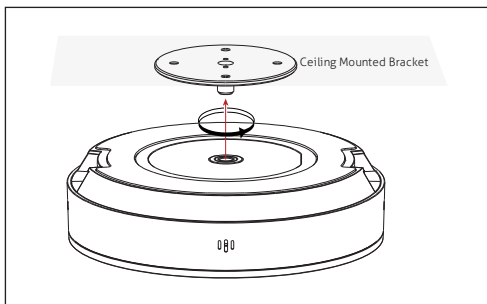
Note: Tripod is not included in the package.





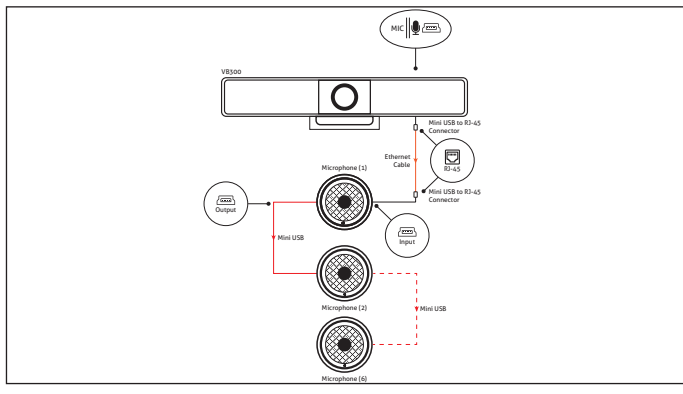
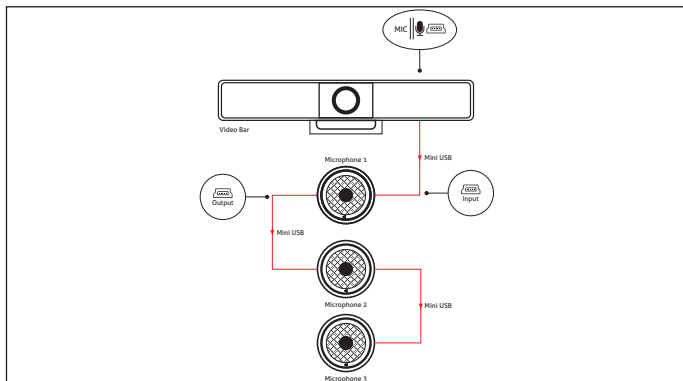
To install the device on the ceiling:

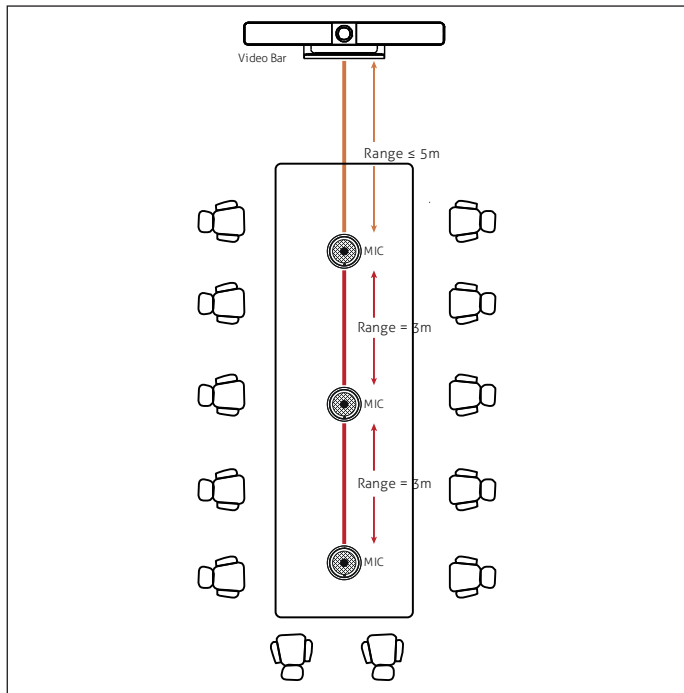
1. Secure the provided mounting bracket on the ceiling using screws (screws are not included in the package).
2. Place the threaded screw of the mount in the central threaded hole of the Mic and rotate counterclockwise until secure.

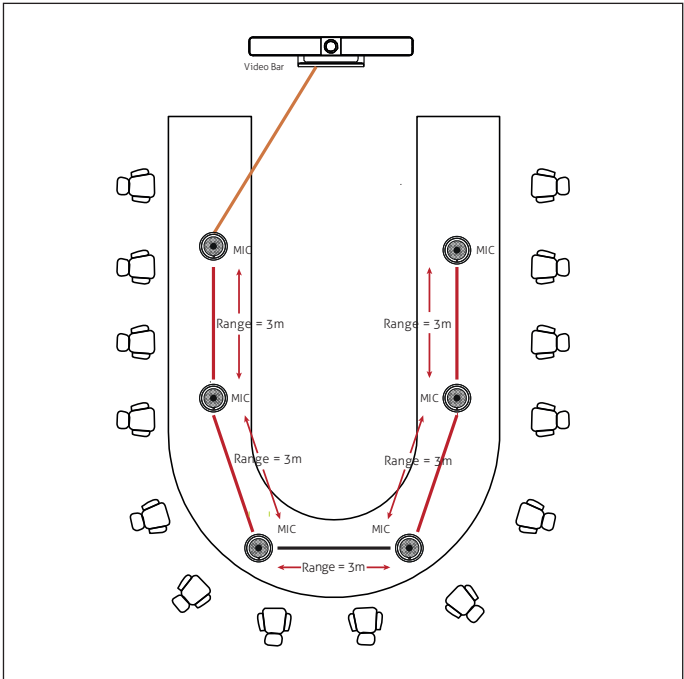




## APPLICATION







Note:

- The VL-VB300 video bar supports up to six units of MIC100 microphone for cascading.

- If you intend to connect Cat6 cable between VL-VB300 and MIC100, we recommend that you use this cable for cascading the first units only and the mini USB cables for further units.
- The available length of cable connected between video bar and only one microphone is maximum 60m; for connection between video bar and multiple microphones, the length of all cables in total must not exceed 50m.

## CE CONFORMITY



PureLink GmbH hereby declares that this product is in compliance with the essential requirements and other relevant provisions of the **RED Directive 2014/53/EU** and the **RoHS Directive 2011/65/EU amended by 2015/863 EU**. PureLink GmbH hereby declares that this product is in compliance with the essential requirements of the **Electromagnetic Compatibility Regulations 2016** and all other applicable UK regulations. The EU Declaration of Conformity is available here:

[www.purelink.de](http://www.purelink.de)



## DISPOSAL OF DEVICE



WEEE-Reg.-Nr. DE 93847290

According to the European WEEE Directive, electrical and electronic equipment may not be disposed of with household waste. As a consumer, you are obliged to return electrical and electronic equipment free of charge at the end of its service life to the public collection points set up for this purpose or to the point of sale. Details on this are regulated by the respective national law. The symbol on the product, the instructions for use or the packaging refers to these regulations. Recycling old appliances in this way is an important contribution to the protection of our environment.

## WARRANTY AND LIABILITY

If any fault or damage is detected on your product, please contact your dealer and provide your sales slip or invoice as evidence of the purchase, if necessary. Your dealer will repair the fault either on site, or send the device PureLink. Please describe the possible faults in detail – only then you can be assured that faults, occurring only rarely, will be found and repaired with certainty! Any use other than described in this users manual is not permitted.

---

## DISCLAIMER OF LIABILITY

PureLink GmbH will not be held liable, nor provide any warranty for damage resulting from improper installation, assembly and use of the product, or failure to observe the operating instructions and/or safety instructions.

## TRADEMARK

Product model and logo are trademarks. All other trademarks mentioned in this manual are acknowledged as the property of the trademark owners. No part of this publication may be copied or reproduced without prior written permission of their respective owners.

---

For further support or questions please contact us under <https://www.purelink.de/en/anfrage-formular-purelink.de> or scan the QR- code below.



---

## **PureLink GmbH**

Von-Liebig-Str. 10  
D - 48432 Rheine  
Germany  
[www.purelink.de](http://www.purelink.de)

WEEE-Reg.-No. DE 93 847 290

## **PureLink UK LTD.**

Carpenter Court, 1 Maple Road  
Bramhall, Stockport  
Cheshire SK7 2DH  
United Kingdom

V1 | 2024-01