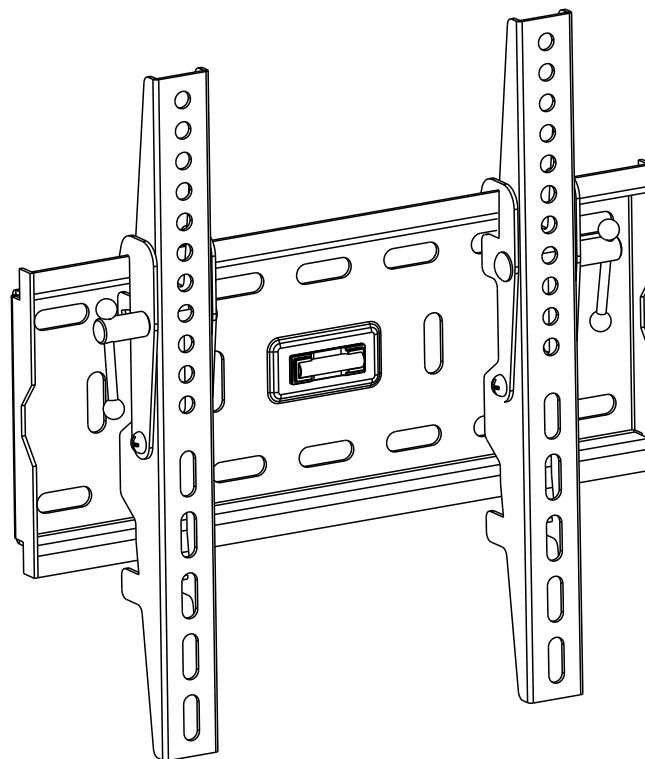


Tilting Wall Mount



CAUTION: DO NOT EXCEED RATED LISTED WEIGHT. SERIOUS INJURY OR PROPERTY DAMAGE MAY OCCUR!

PLB-35XS



75x75/100x100
200x100/200x200

42"
MAX

75kg
(165lbs)
RATED

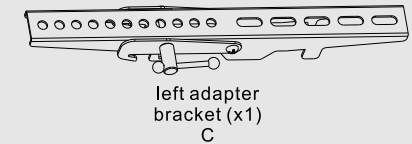
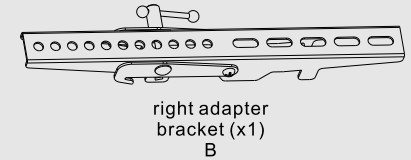
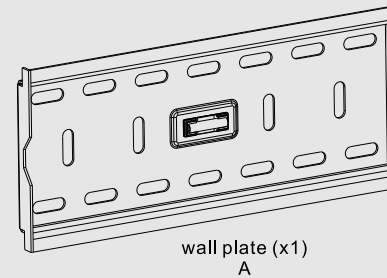
NOTE: Read the entire instruction manual before you start installation and assembly.

WARNING

- Do not begin the installation until you have read and understood all the instructions and warnings contained in this installation sheet. If you have any questions regarding any of the instructions or warnings, please contact your local distributor.
- This mounting bracket was designed to be installed and utilised ONLY as specified in this manual. Improper installation of this product may cause damage or serious injury.
- This product should only be installed by someone with good mechanical ability who has basic building experience and fully understands this manual.
- Make sure that the supporting surface will safely support the combined weight of the equipment and all attached hardware and components.
- Always use an assistant or mechanical lifting equipment to safely lift and position the equipment.
- Tighten screws firmly, but do not over tighten. Over tightening can cause damage to the items, This greatly reduces their holding power.
- This product is intended for indoor use only. Using this product outdoors could lead to product failure and personal injury.

Component Checklist

IMPORTANT: Ensure that you have received all parts according to the component checklist prior to installation. If any parts are missing or faulty, telephone your local distributor for a replacement.



Package M



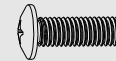
M4x14 (x4)
M-A



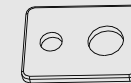
M5x14 (x4)
M-B



M6x14 (x4)
M-C



M8x20 (x4)
M-D



washer (x4)
M-E



small spacer (x8)
M-F

Package W



ST8x50(x4)
W-A

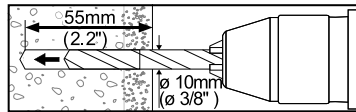


concrete anchor (x4)
W-B

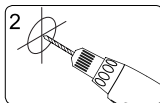


D8 big washer (x4)
W-C

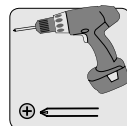
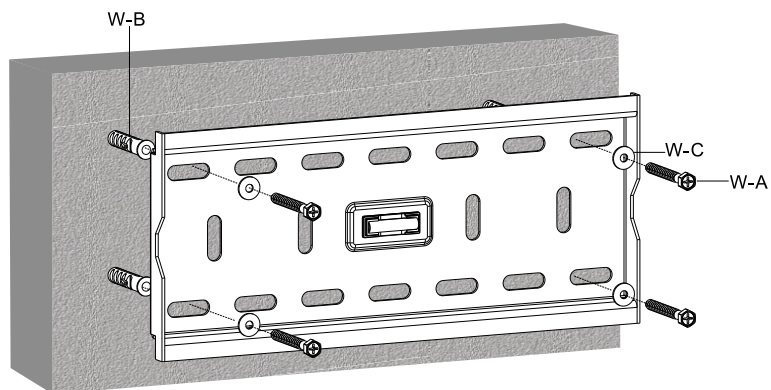
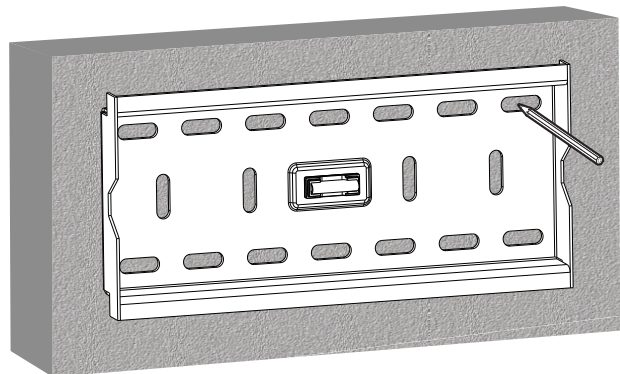
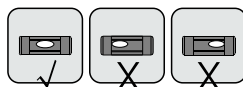
1. For Solid Brick and Concrete Mounting



1
Mark the exact location of mounting holes



2
Drill pilot holes

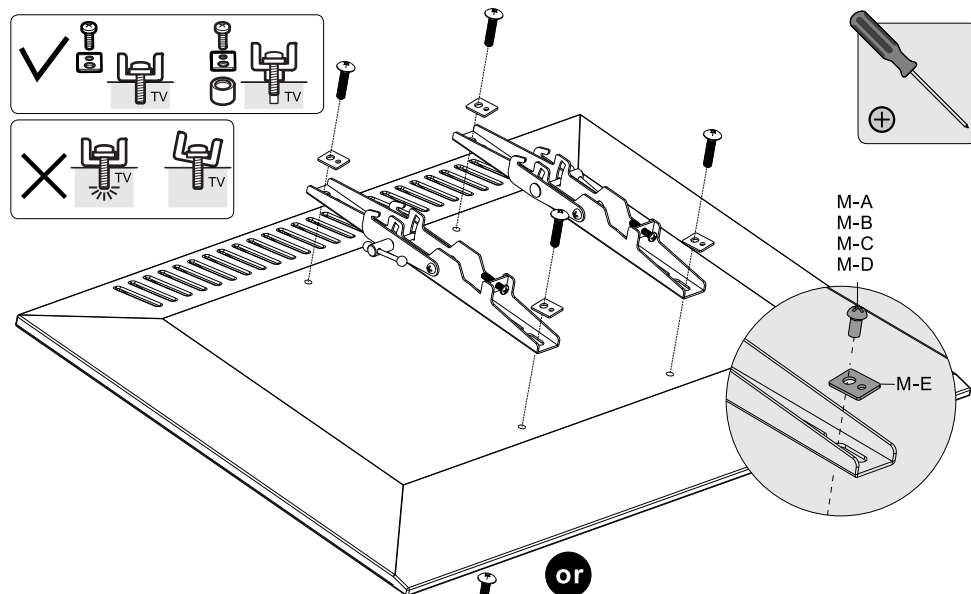
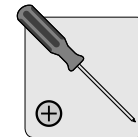
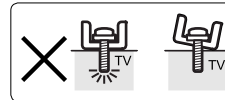
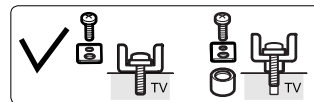


Screw the wall plate onto the wall

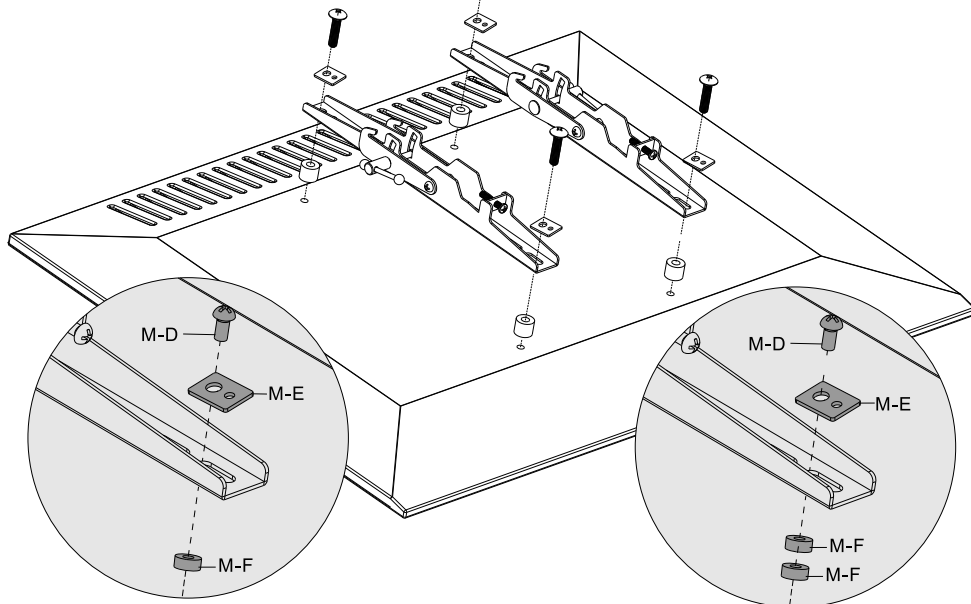
⚠ WARNING

Installers must verify that the supporting surface will safely support the combined weight of the equipment and all attached hardware and components.

2. Installing the Adapter Brackets



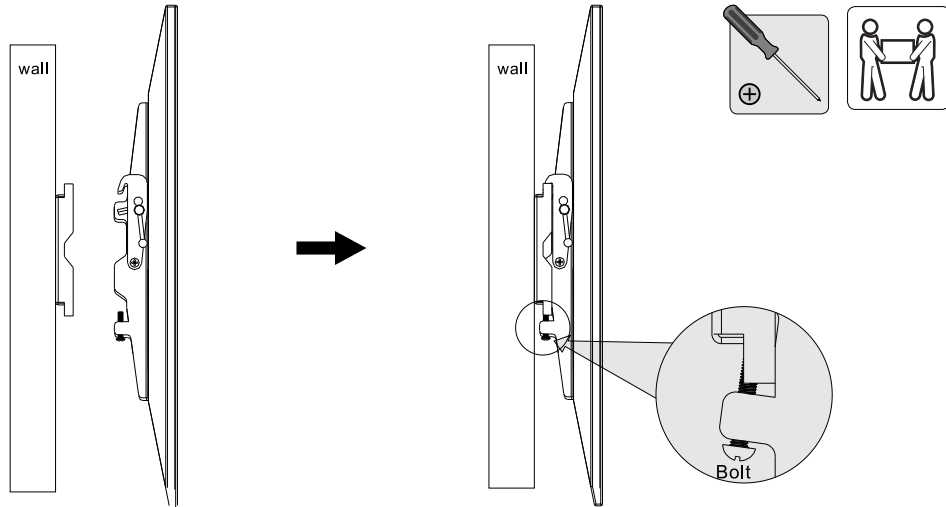
or



Note: Choose the appropriate screws, washers and spacers (if necessary) according to the type of screen.
 • Position the adapter brackets as close as possible to the center of the display.
 • Screw the adapter brackets onto the display.

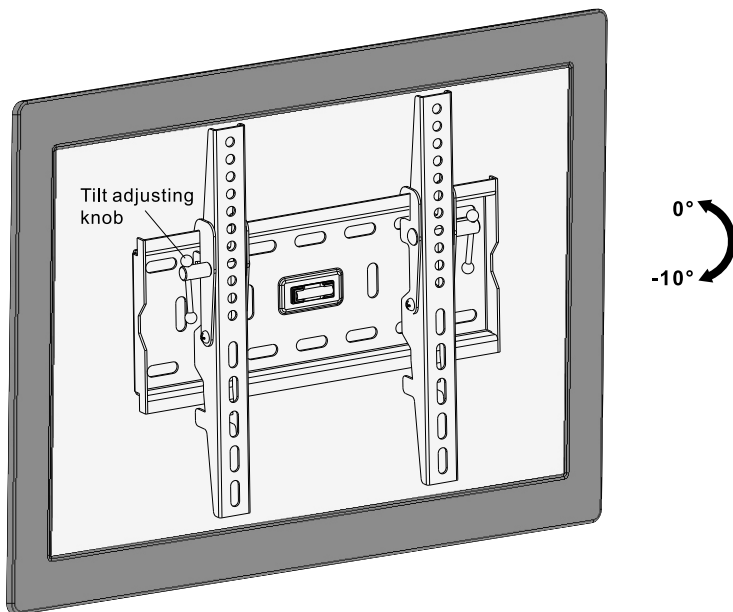
⚠ Tighten all screws but do not over tighten.

3. Hanging the Display onto the Wall Plate



Tighten the two bolts by using a proper phillips screwdriver to secure the adapter bracket to the wall plate.

4. Adjustment



Loosen the adjusting knobs to tilt the display to obtain the desired angle then tighten them.

Maintenance

- Check that the bracket is secure and safe to use at regular intervals(at least every three months).
- Please contact your distributor if you have any questions.