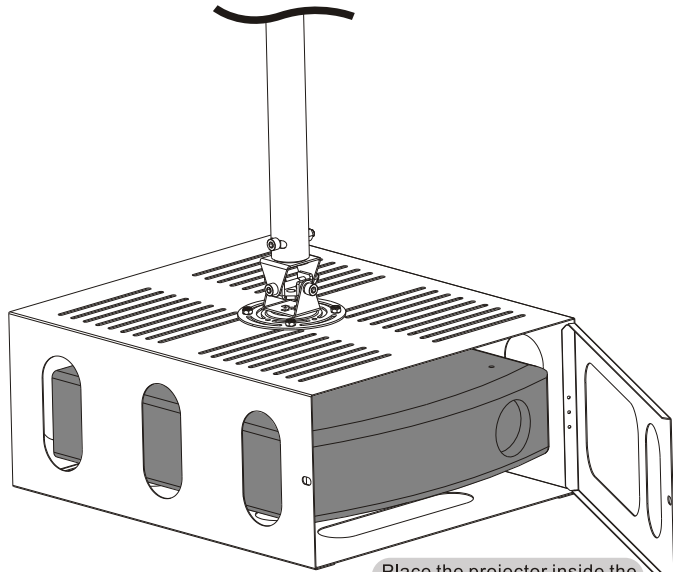
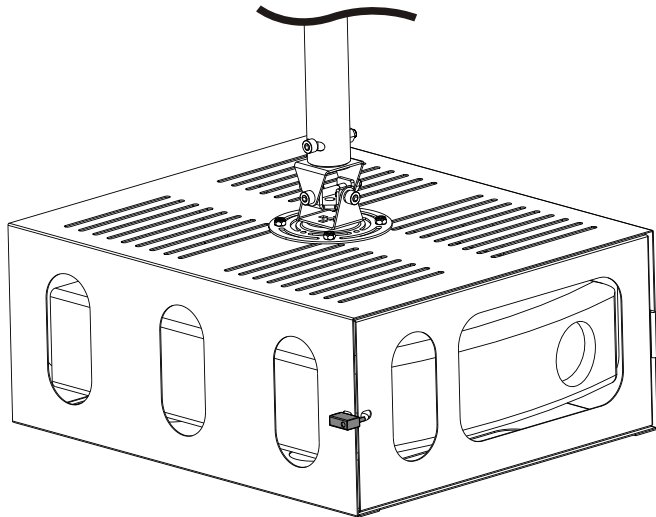


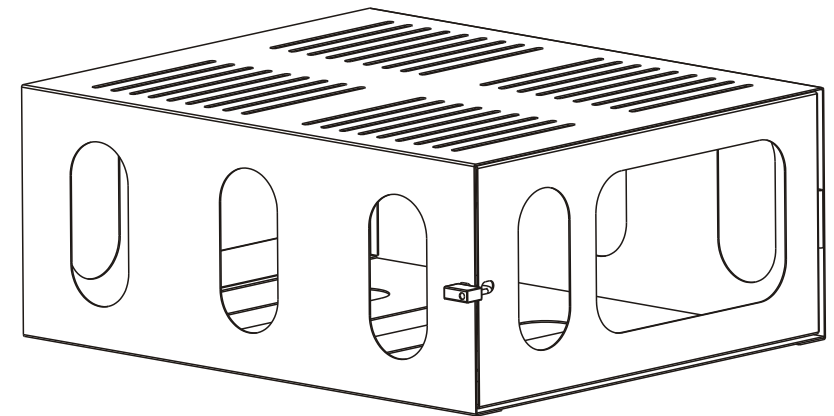
Anti-theft Steel Projector Cage



Place the projector inside the projector cage.



Close the hinged door and use a padlock to add security (Padlock is not included).



PRB-15

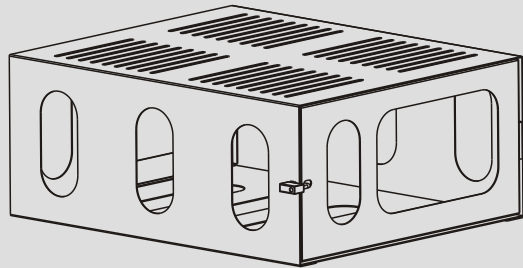
NOTE: Read the entire instruction manual before you start installation and assembly.

⚠ WARNING

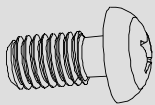
- Do not begin the installation until you have read and understood all the instructions and warnings contained in this installation sheet. If you have any questions regarding any of the instructions or warnings, please contact your local distributor.
- This mounting bracket was designed to be installed and utilised **ONLY** as specified in this manual. Improper installation of this product may cause damage or serious injury.
- Tighten screws firmly, but do not over tighten. Over tightening can cause damage to the items, This greatly reduces their holding power.

Component Checklist

IMPORTANT: Ensure that you have received all parts according to the component checklist prior to installation. If any parts are missing or faulty, telephone your local distributor for a replacement.



Package M

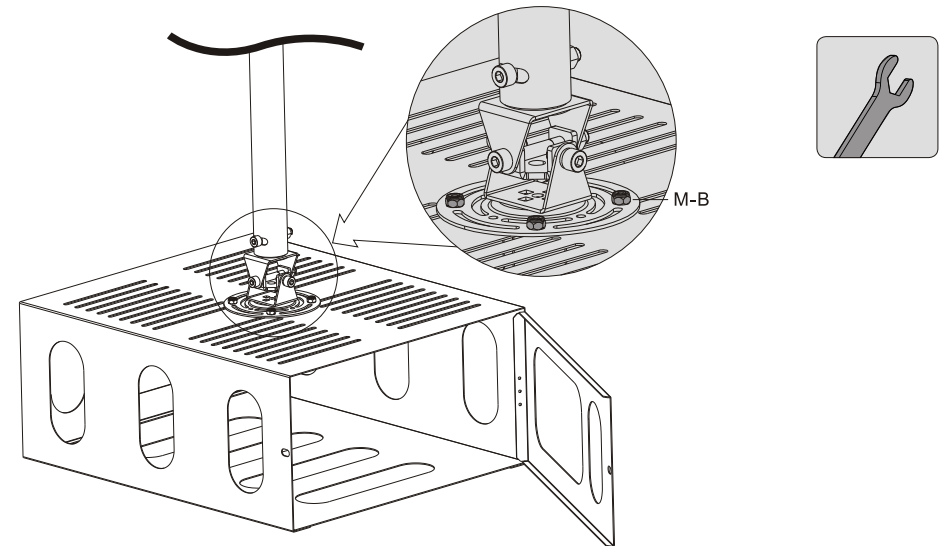
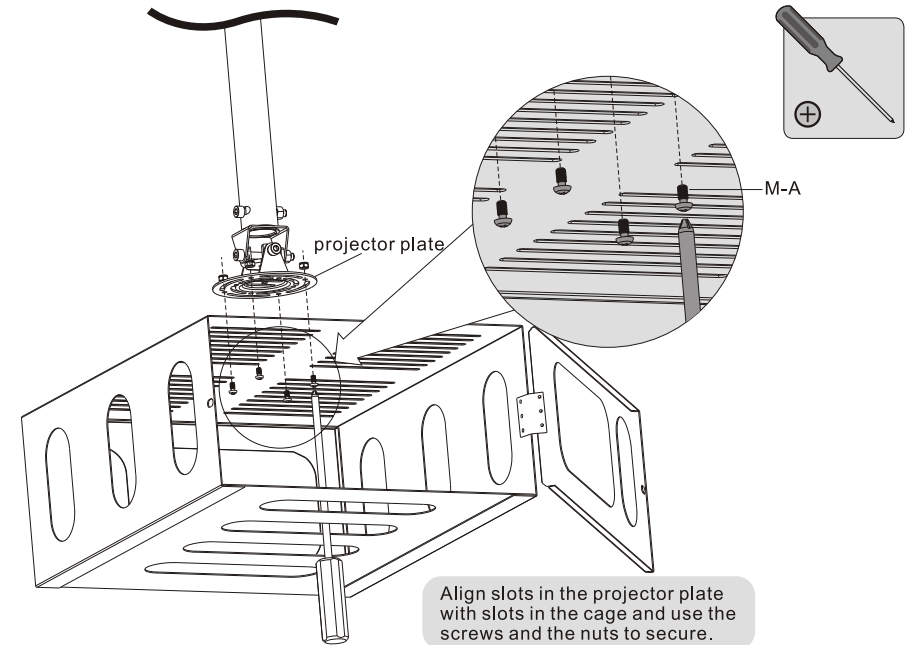


M5x10 (x4)
M-A



locking nut (x4)
M-B

This cage should be used with the projector mount



⚠ **TIGHTEN ALL SCREWS BUT DO NOT OVER TIGHTEN.**