

PT-HDBT-100P-TX

4K Projector Compatible HDBaseT Transmitter



Features

- ▶ 10.2Gbps (4K 60Hz 4:2:0) and HDCP 2.2 support
- ▶ 4K at 40m and 1080p at 70m
- ▶ PoC ON = bi-directional PoC. PoC OFF = no power in either direction - ideal for projectors!
- ▶ IR, RS232 pass through directly to the projector or other compatible receiver
- ▶ Slim robust housing and locking power connector

Technical Data

PT-HDBT-100P-TX

Input / Output

Input	1x HDMI-A, 1x IR IN (3.5mm Jack), 1x RS232 (3 pin Phoenix)
Output	1x HDBaseT (RJ45), 1x IR OUT (3.5mm Jack)

Control

Control	Bidirectional, pass-through, PoC On/Off
---------	-----------------------------------------

Technical Data

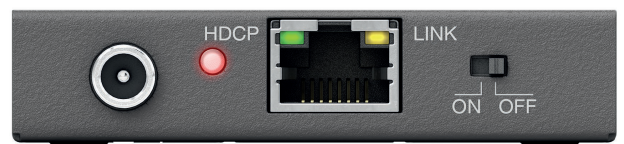
Transmission Mode	HDBaseT
Max. Resolution	4K / UltraHD @60Hz (4:2:0) / @30Hz (4:4:4), FullHD / 1080p @60Hz
Transmission Distance	4K up to 40m, 1080p up to 70m
Bandwidth	10.2 Gbps
HDMI Standard	HDMI 1.4 / HDCP2.2

General

Product Dimensions	120mm (W)×74mm (D)×16mm (H)
Product Weight	224g
Housing Material	Steel
Colour	Black
PoC	Bidirectional / Disable
DIP Switch	"PoC ON" or "PoC OFF"
Operation Temperature	0~ 40°C
Storage Temperature	-20~ 60°C
Relative Humidity	20% ~ 90%
Power Supply	DC 12V / 1A or PoC
Power Consumption	ca. 10W
Compliance	CE, FCC, RoHS, REACH, EMC, LVD



FRONT



BACK

Set includes

- 1× HDMI 70M HDBaseT Transmitter
- 1× Power adaptor (12V DC,1A)
- 2× Mounting ears
- 1× 3-pin Phoenix connectors
- 1× User Manual

Art.-No.

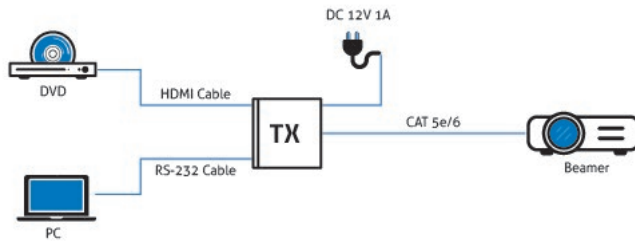
EAN

PT-HDBT-100P-TX

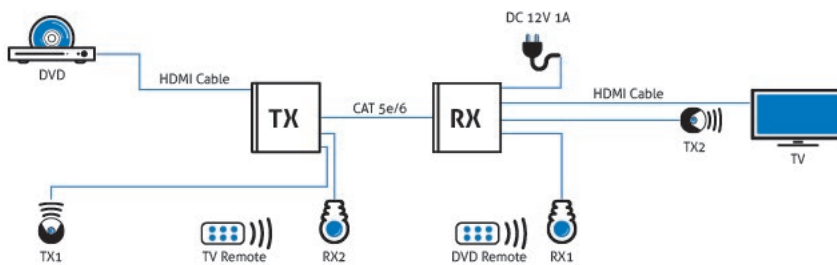
4251364736807

Applications

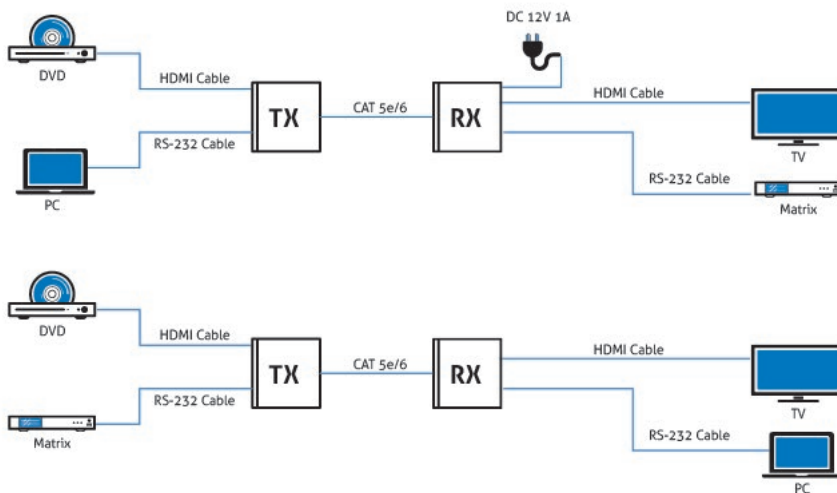
1. Projector with RS-232 control Example (PoC OFF)



2. Bidirectional IR control Example (PoC ON)



3. Bidirectional RS-232 control Example



Contact

PureLink GmbH
Von-Liebig-Str. 10
48432 Rheine | Germany

+49 5971 800 299-0
+49 5971 800 299-99
info@purelink.de



We regularly expand our product range. We will be happy to provide information on updates in this regard upon request.
All information is subject to confirmation and non-binding. Technical changes, printing errors and mistakes excepted.
The illustrations used in these document may differ from the delivered product.