

# SMS FLATSCREEN X

## FH MD



Customer orientation.

Who knows the direction from which visitors will arrive? Placing two screens that face different directions on a single bracket will reduce the risk. And further flexibility is gained from the complete arrangement being simple to turn and move. Several column lengths are available, as are versions with a motorized column, making height adjustment especially easy.

The X series is characterised by clean and refined features. The cable holder, for example, into which it is easy to place all cables by hand. The surface finish has also been given extra attention.

- |   |  |  |                                |
|---|--|--|--------------------------------|
| <input type="radio"/> Ceiling                 | <input checked="" type="radio"/> <b>Heavy weight</b> | <input type="radio"/> Fixed                    | <input type="radio"/> Variable |
| <input type="radio"/> Wall                    | <input type="radio"/> Middle weight                  | <input type="radio"/> Swivel                   | <input type="radio"/> UniSlide |
| <input checked="" type="radio"/> <b>Floor</b> | <input type="radio"/> Light weight                   | <input type="radio"/> Tilt                     | <input type="radio"/> Hidden   |
| <input type="radio"/> Table                   |  | <input type="radio"/> 3D                       | <input type="radio"/> Double   |
|   |  | <input checked="" type="radio"/> <b>Mobile</b> |                                |

# X

# SMS FLATSCREEN X - FH MD

## INFO

- Finish: A/W (Aluminium/white).
- Max. load: 50 kg/screen.  
Motorized: 45 kg/screen.
- Length (column): 1455 or 1955 mm.  
Motorized: 605, 1105 mm.

Delivered as standard with our Unislide – SMS X H Unislide, which can be used with all VESA standards from 200 x 200 to 800 x 400 mm. (Screens ~40-55").

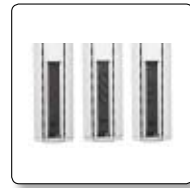
## ART. NO

ART. NO	DESCRIPTION
PD033001-P0	SMS Flatscreen X FH M1455 W/S Double
PD033002-P0	SMS Flatscreen X FH M1955 W/S Double
XM033001-P0	SMS Flatscreen X FH M605 W/S Motorized Double
XM033002-P0	SMS Flatscreen X FH M1105 W/S Motorized Double

## ACCESSORIES:

AE018002	SMS X Remote Control Kit
PD100001	SMS Power Socket EU (Schuko)
PD100002	SMS Power Socket CH
PD100003	SMS Power Socket UK
PD300005-PO	SMS X Shelf White*
PD300006-P0	SMS X Shelf Oak*
PD300007-P0	SMS X Shelf Walnut*
PD400001	SMS X Media Box White*
PD400003	SMS X Media Box Oak*
PD400004	SMS X Media Box Walnut*
PD410001	SMS X Media Box Rack Accessory*

\*More information in separate product sheet.

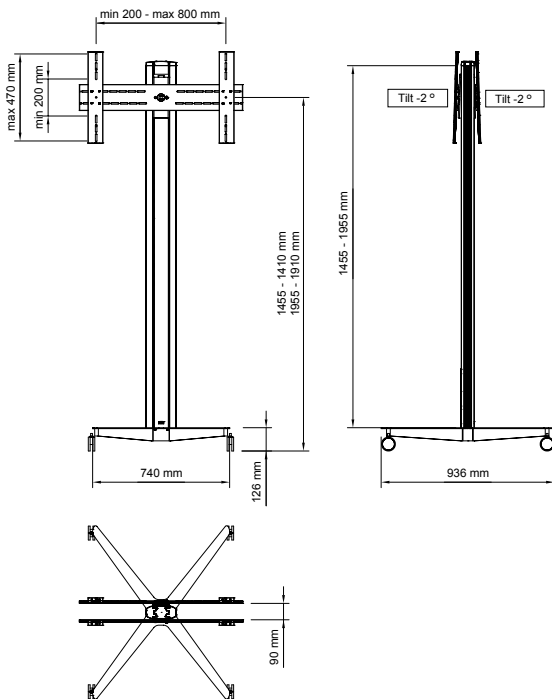


All peripheral equipment readily available using practical accessories such as shelves and cabinets.

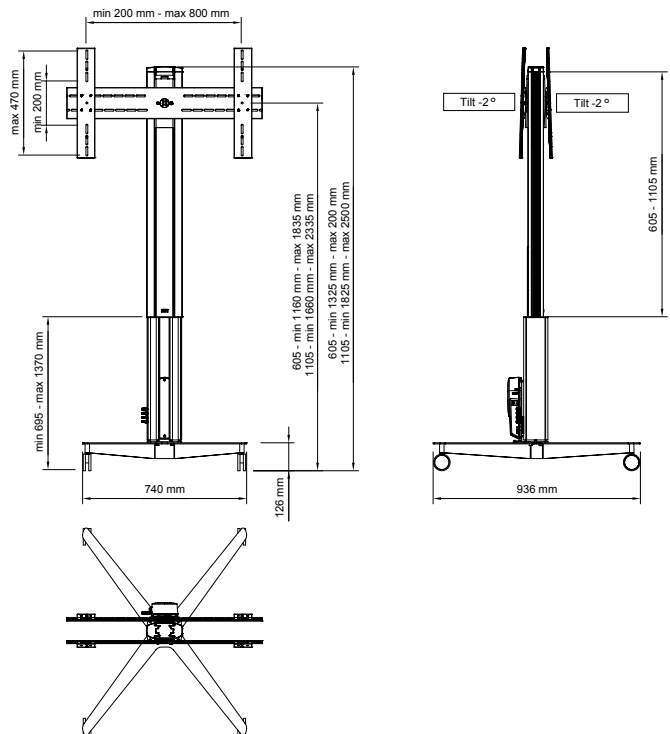
The motorized version has convenient adjustment of height.

Electrical power sockets can be mounted at the rear.

## SMS FLATSCREEN X FH MD



## SMS FLATSCREEN X FH M MOTORIZED DOUBLE



SMART MEDIA SOLUTIONS

www.SmartMediaSolutions.se