



**SUGGESTED SPECIFICATIONS**

Portable tripod projection screen. The legs are constructed of heavy gauge extruded aluminum, equipped with sturdy plastic shoes and attached to upright by one-piece hooded leg bracket. Automatic leg lock shall fasten all three legs and release with a touch of the toe. Upright tube 2.5 cm square and extension tube 2.2 cm square shall be of chrome plated steel. Extension tube shall raise screen to full size. Case shall adjust as low as tripod leg bracket. Extension tube shall have positive stops in all positions provided by plunger locks. To have a powder coated black 22 gauge (0.643 mm) octagonal steel case, with flat back design. End caps shall conceal roller ends and provide integral nylon bearing surface to support roller. Surface shall have black masking borders standard on flame retardant and mildew resistant fiberglass fabric. Projection surface on all sizes shall be mounted into a metal strip in a metal Camlok® roller system without tape, glue, staples or cords so that projection surface may be easily replaced yet prevent it from being accidentally pulled from the roller. Top edge of projection surface is mounted securely into a powder coated tubular steel slat. Ends of slat shall be protected by plastic outer caps. A metal saddle, with steel pull, shall be fastened to slat by pop rivets. Shall be equipped with automatic, snug-fitting projection surface lock in closed position. Shall be complete with built-in 45 cm keystone eliminator.

**SCREEN SURFACES**

Matte White; Gain 1.0, viewing angle 120°, Flame retardant, max. height 244 cm, max. width 244 cm  
 Datalux; Gain 1.5, viewing angle 70°, Flame retardant, max. height 244 cm, max. width 244 cm  
 High Power; Gain 2.4, viewing angle 60°, Flame retardant, max. height 244 cm, max. width 244 cm

**DIMENSIONS (SELECT ONE OF OUR STANDARD SIZES AND ENTER THE REQUIRED QUANTITY)**

Aspect Ratio	Overall Dimensions	Viewing Area	Nominal Diagonal		Weight	Transport-length	(A) Bottom Surface	(B) Min. Height	(C) Max. Height	Surfaces		
	h x w cm	h x w cm	cm	inches	in kg	cm	cm	cm	cm	Matte White	Datalux	High Power
4:3	115 x 152	109 x 146	183	72	13	167	51	174	254			
	135 x 178	127 x 170	213	84	15	192	51	185	300			
	162 x 213	152 x 203	254	100	17	239	51	217	325			
	185 x 244	175 x 234	305	120	19	267	51	239	325			
16:9	114 x 213	104 x 203	234	92	17	239	51	175	196			
	142 x 244	132 x 234	269	106	19	267	51	193	213			
16:10	137 x 213	127 x 203	240	94	17	239	51	198	218			
	156 x 244	146 x 234	276	109	19	267	51	217	237			
1:1	152 x 152	146 x 146			13	167	51	217	282			
	178 x 178	172 x 172			15	192	51	243	325			
	213 x 213	207 x 207			18	239	51	278	325			
	244 x 244	238 x 238			19	267	51	307	325			

**ACCESSORIES**

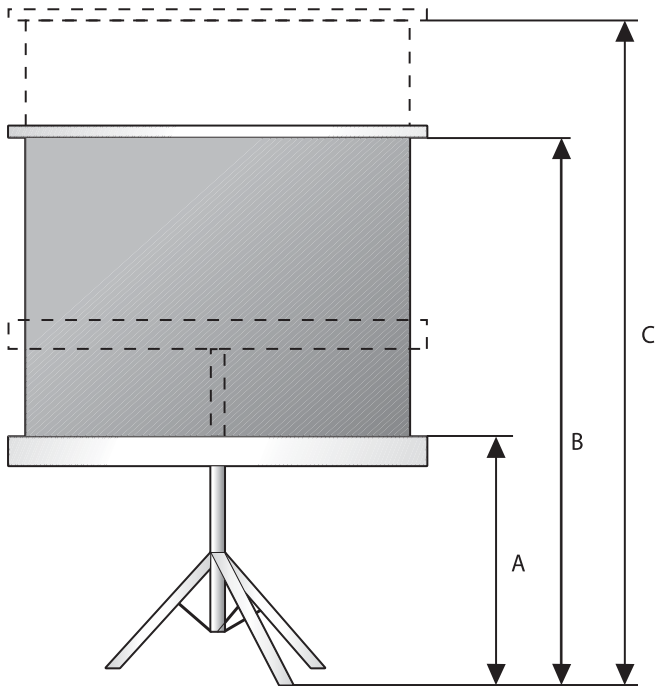
- Screen Bag for tripod screens width 127 - 152 cm
- Screen Bag for tripod screens width 178 cm
- Screen Bag for tripod screens width 213 cm
- Screen Bag for tripod screens width 244 cm



- Polyknit Skirting Kit width 152 cm
- Polyknit Skirting Kit width 178 cm
- Polyknit Skirting Kit width 213 cm
- Polyknit Skirting Kit width 244 cm



**DIMENSIONS**



Project:	_____
Architect:	_____
Phone:	_____
Contractor:	_____
Phone:	_____
Supervisor:	_____
Phone:	_____
Supplier:	_____
Date:	_____
Revised:	_____