

TR19

FLAT SCREEN TROLLEY

FOR 55"-110" SCREENS

TR19 is a universal video conference trolley for 55"-110" screens. The lightweight and minimalist design of powder-coated steel makes it perfect for any interior such as offices, conference rooms and waiting rooms. TR19 features a cable management system to hide cables and keep the aesthetic, smart appearance of the entire installation. Castors with a braking mechanism ensure mobility.



FEATURES

- Simple and fast installation
- Aesthetic design of powder-coated steel and polished tubing
- Adjustable height
- Cable management for smart installation
- Includes 4 braked casters

PRODUCT SPECIFICATIONS

| | |
|-----------------------------|---------------------------------------|
| Short index | TR19 |
| Product group | Trolleys & Stands |
| Category | Flat Screen Trolleys Universal Series |
| Colour | Black |
| Warranty | Limited 5-years |
| Number of screens | 1 |
| Minimum screen size | 55" |
| Maximum screen size | 110" |
| Maximum load | 130 kg |
| Height adjustment | Yes |
| VESA Mounting Compatibility | 100x100 up to 1000x600 |



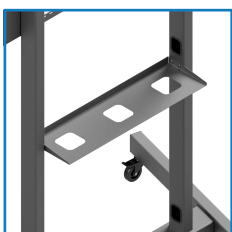
55"-110"



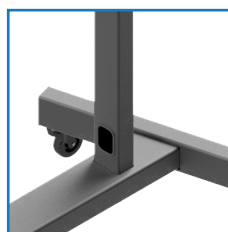
100x100
1000x600



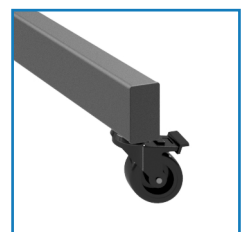
130 kg



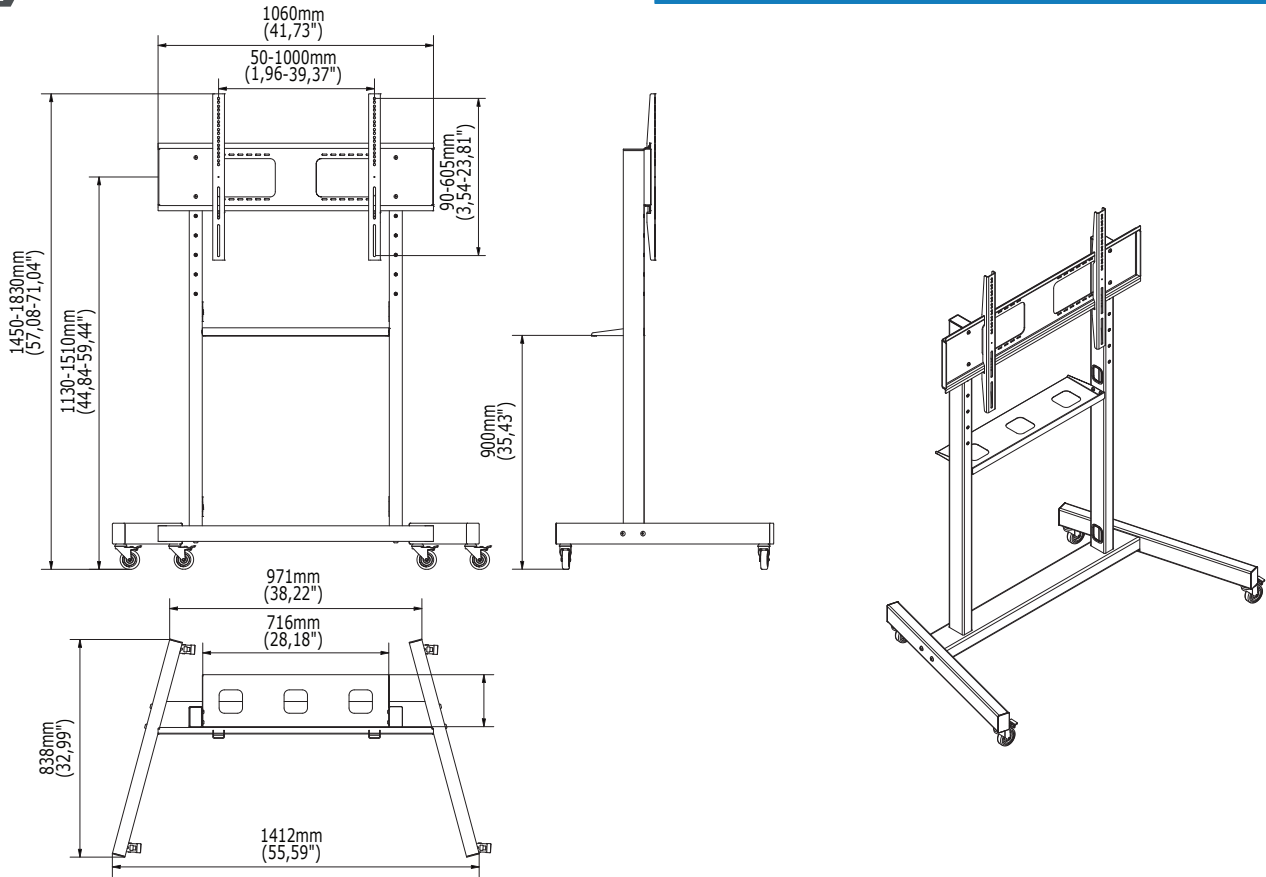
Includes Equipment shelf



Cable management system



Includes 4 locked casters


TECHNICAL SPECIFICATIONS

| | |
|--|--|
| Product dimensions | W: 1412 mm D: 838 mm H: 1830 mm (W:55,59" D:32,99" H:71,04") |
| Product weight | 53,5 kg (117,94 lb) |
| Max. distance from the floor to the center of the screen | 1510 mm (59,44") |
| Min. distance from the floor to the center of the screen | 1130 mm (44,84") |
| Max. mounting pattern | 1000 mm x 605 mm (39,37 x 23,81") |
| Min. mounting pattern | 50 mm x 90 mm (1,96 x 3,54") |

LOGISTICS DATA

| SAP INDEX | EAN CODE | COLOUR | PACKAGE DIMENSIONS | PACKAGE WEIGHT |
|-----------|---------------|--------|--|-----------------------|
| WWTR-TR19 | 5902841105010 | BLACK | 1300 x 800 x 150 mm 51,18 x 31,50 x 5,91" | 55,65 kg 122,68 lb |

HS Code (Harmonized System): 732690, HTS Code (Harmonized Tariff Schedule): 7326909890, Country of Origin: Poland

ACCESSORIES AND RELATED PRODUCTS


STD01



STD17



TRV100