

TWB1.600

UNIVERSAL FLAT WALL MOUNT

FOR 50"-86" SCREENS

Designed for practical wall mounting of the screen. TWB1.600 is made of metal elements, very robust and, at the same time, aesthetically finished. By protecting the screen from falling, this mount is perfect for public areas. Dedicated both as a standalone mount and as a component for other structures, including conference trolleys or ceiling mounts. The TWB1.600 wall mount is a guarantee of robustness, featuring modern solutions.



FEATURES

- Universal design – Suitable for 50"-86" screens
- Wide range of VESA mounting holes
- Screen protection against falling
- Screen mounting screws included
- 3 mm heavy duty steel
- Robust construction to ensure load capacity up to 80 kg
- Lateral adjustment of the screen once mounted on the wall plate
- Suitable for installation on brick, concrete, plaster and wooden walls
- Quick and simple screen installation

PRODUCT SPECIFICATIONS

Short index	TWB1.600
Category	Flat Wall Mounts
Product group	Display Mounts
Colour	Black
Warranty	Limited 5-years
Number of screens	1
Minimum screen size	50"
Maximum screen size	86"
Maximum load	80 kg
VESA Mounting Compatibility	100x100 up to 800x600



50"-86"



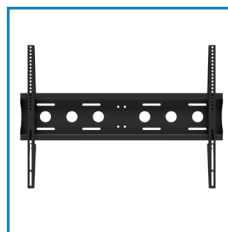
100x100
800x600



80 kg



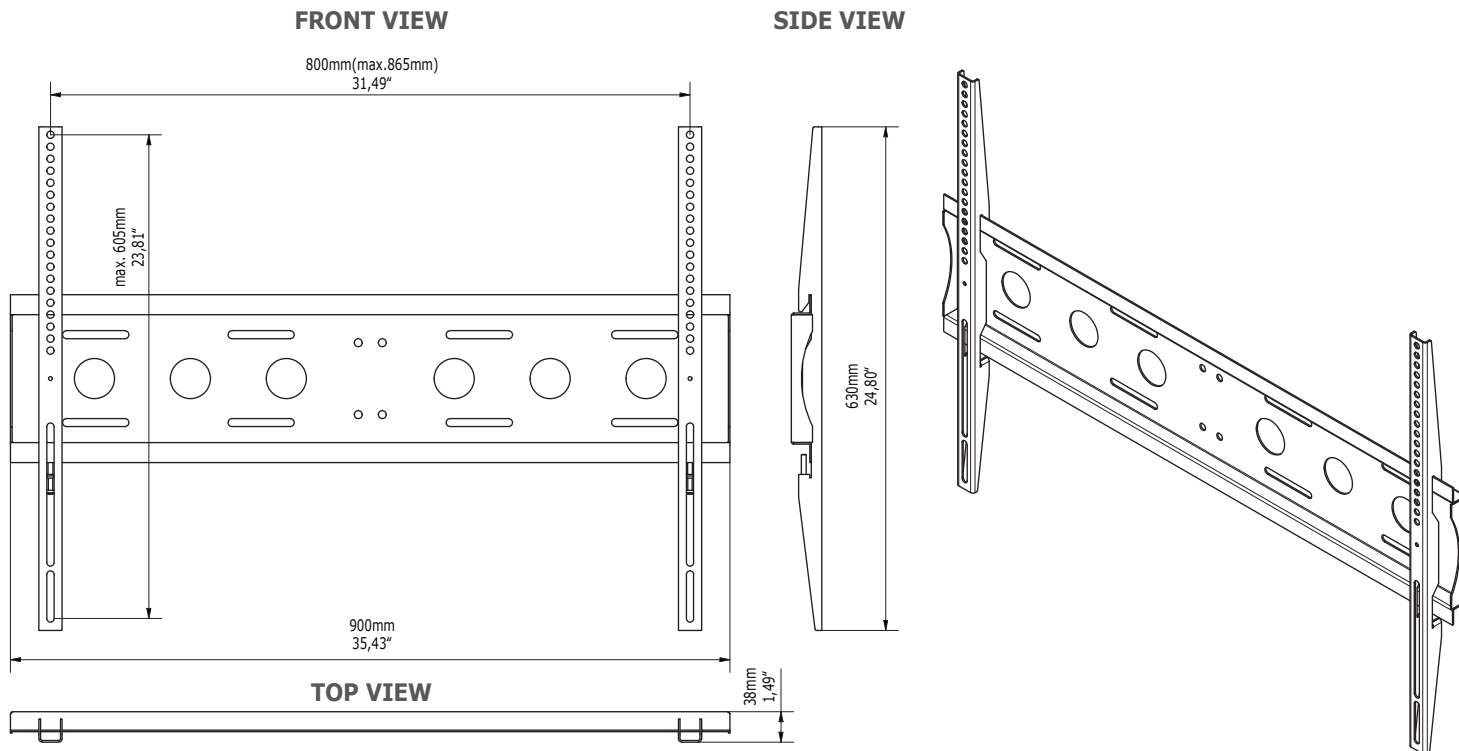
Screen protection against accidental falling or unauthorised removal of a screen using security screws



Wide range of VESA mounting holes



Robust design


TECHNICAL SPECIFICATIONS

Product dimensions	W: 900 mm D: 38 mm H: 630 mm (W:35,43" D:1,50" H:24,80")
Product weight	4,6 kg (10 lb)
Max. distance from mounting surface	38 mm (1,50")
Min. distance from mounting surface	38 mm (1,50")
Max. mounting pattern	865 mm x 605 mm
Min. mounting pattern	50 mm x 95 mm

LOGISTICS DATA

SAP INDEX	EAN CODE	COLOUR	PACKAGE DIMENSIONS	PACKAGE WEIGHT
WUSC-TWB1.600	-	BLACK	930 x 220 x 40 mm 36,61 x 8,66 x 1,57"	5,5 kg 12 lb

HS Code (Harmonized System): 732690, HTS Code (Harmonized Tariff Schedule): 7326909890, Country of Origin: Poland

ACCESSORIES AND RELATED PRODUCTS


PWB1



TWB2



TWB3



XWB1

2021 - EDBAK Sp. z o.o. All rights reserved.
The information included in the specifications reflects the current technical specifications at the time of printing. We reserve the right to modify technical or physical specifications without prior notice. EDBAK name and EDBAK logo are registered trademarks of EDBAK Sp. z o.o. All EDBAK images and symbols are sole property of EDBAK Sp. z o.o. Edbak shall not be held liable for any loss or damage caused by incorrect installation or mounting. Copying this specification in whole or in part is only allowed after obtaining written consent from EDBAK Sp. z o.o.
TWB1.600-210601-EN