



PIXELHUE

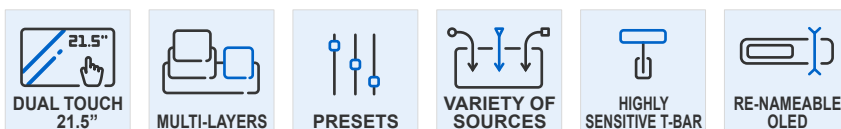
U3

Live Event Controller

The U3 is a live event controller developed by PIXELHUE. With integrated intelligent, high-performance event management software Triton, the U3 is capable of receiving, processing, and monitoring multiple inputs and outputs at your fingertips.

The U3 can simultaneously control up to eight Flex-View Event Presentation Switchers to realize synchronized operations on multiple switchers, greatly simplifying your on-site deployment and bringing more convenience and ease to your event.

The U3 undoubtedly has become an ideal video operating tool for a wide range of events today, such as large live conferences, various interactive live shows, music tours, and immersive art exhibitions.



Features

Stand-alone controller with Pixelhue's built-in high-performance Triton event management software, taking full control over seamless switchers in a more stable, fast and convenient way

Simultaneous control over up to 8 switchers

2x 21.5" full HD touch screens with multi-touch interface

The secondary touch screen can also be used as MVR, to minimize additional monitor for preview

Real-time input view via DVI or Ethernet connector

High-performance T-bar for transition control & mixing

Customizable OLED labels above the buttons for displaying user-defined functions

Dedicated buttons for smooth operation of functions like adding/editing screens, FTB, freeze, and matching PGM

Dedicated buttons for adding/editing layers and layer arrangement

Dedicated preset buttons for saving, clearing, and loading presets with user-defined information on the OLED labels

Dedicated numeric buttons for easy editing

User-adjustable script lights, front light, and Logo lights

Clearly-defined button indicators, various statuses at a glance

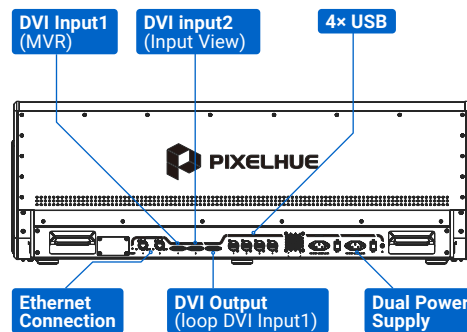
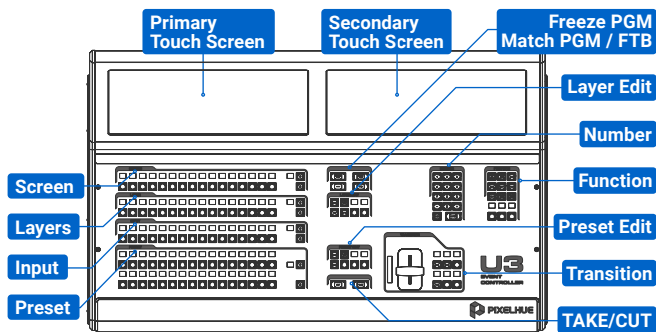
User-friendly GUI for adjusting operational properties like resolution and sizing

USB ports for additional accessories such as a mouse, keyboard, and USB drive

Dual redundant power supply design

Dust cover included

Appearance



Physical Specifications

Dimensions (with handles, rack ears & rack mount)

W 1100 × D 674.8 × H 388.8 mm

43.3 × 26.6 × 15.3 inches

Please refer to the dimension diagram for more details

Product Weight

32 kg / 70.5 lbs (Net weight)

84 kg / 185.2 lbs (With Accessories and flight case)

Noise on Average (@1, 0.75m height)

• Front: 50 dB

• Rear: 50 dB

Electrical Parameters

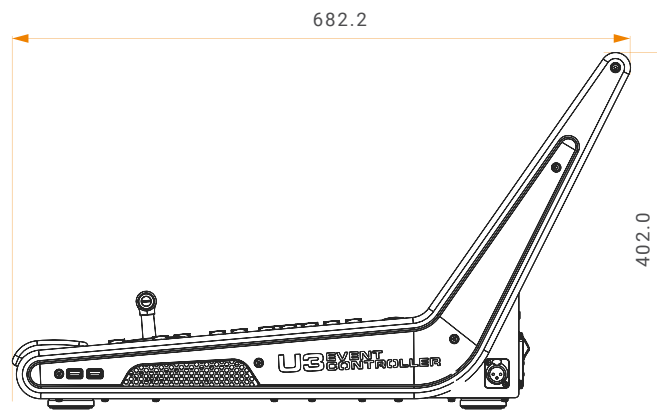
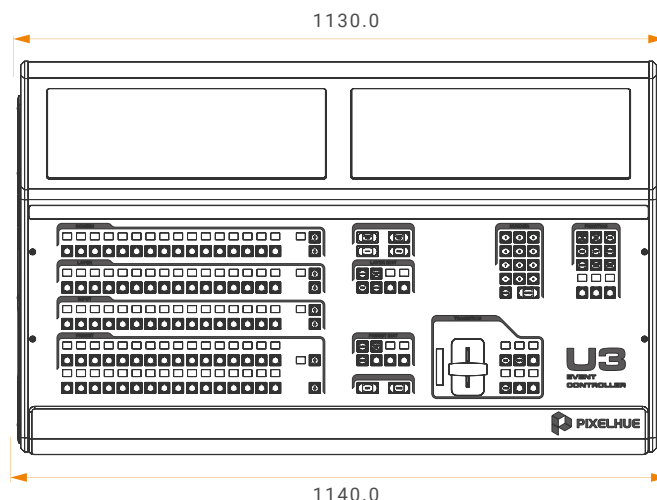
- Dual backup power supply
- Power connector: AC100 V–240 V 50/60Hz
- Max power consumption: 115 W
- Power consumption: 100 W on average

Operating Conditions

- Temperature: 0°C to 50°C
- Humidity: 0% RH to 85% RH, non-condensing

Safety Compliance

CE FC IC K



Packing Information

Unit: mm

- | | |
|-------------------------|----------------------------|
| 3x Power cords | 1x Certificate of Approval |
| 2x DVI cables | 1x Customer Letter |
| 1x Cat5e Ethernet cable | 1x Quick Start Guide |
| 1x T-Handle hex Key | 1x Safety Manual |
| 1x Dust cover | |
| 1x Flight case | |