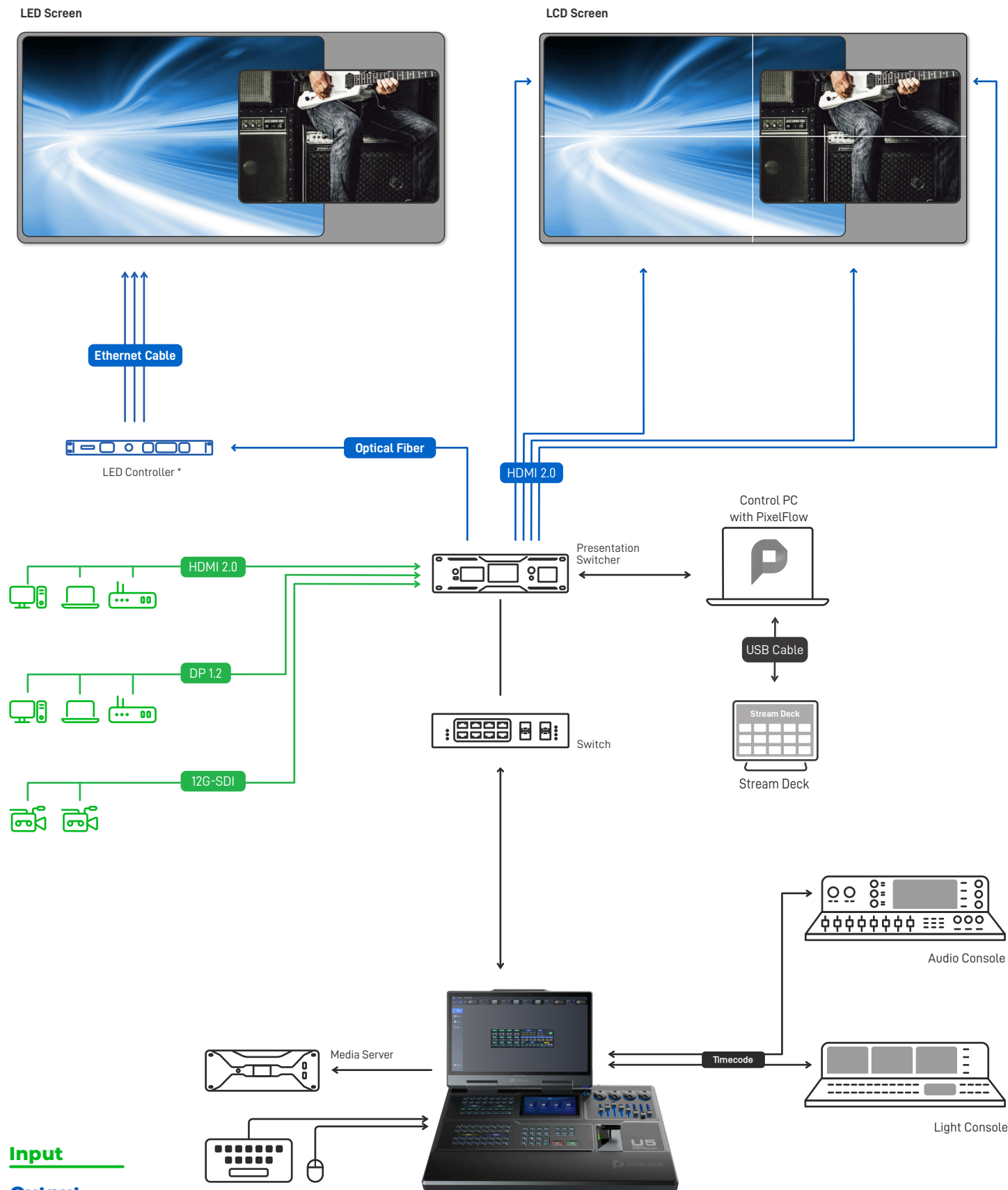
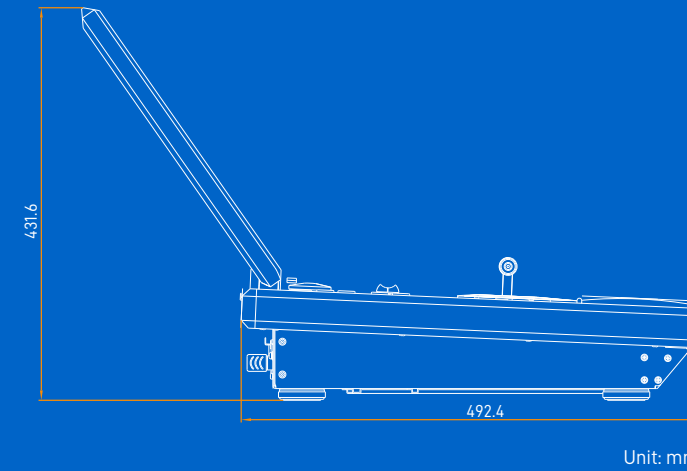
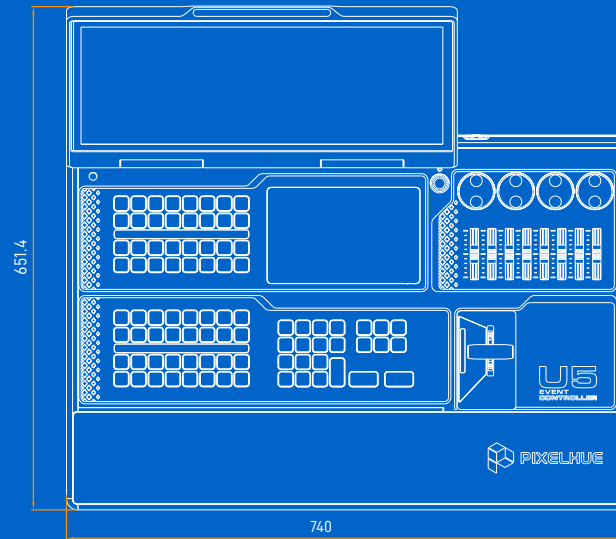


# APPLICATION



\* Only LED controllers from NovaStar are supported for now.

## Dimensions



## Specifications

### Dimensions (With handles, rack ears & rack mount)

W 740 mm × D 651.4 mm × H 431.6 mm  
 W 29.13 × D 25.65 × H 16.99 inches  
 Please refer to the dimension diagram for more details

### Product Weight

24 kg (Net weight)  
 55 kg (With accessories and flight case)

### Noise on Average (@1, 0.75m height)

40 dB

### Electrical Parameters

Power connector: AC100-240V~, 6A, 50/60Hz  
 Max power consumption: 240 W

### Operating Conditions

Operating Environment:  
 • Temperature: 0°C to 50°C (32°F to 122°F)  
 • Humidity: 0% RH to 80% RH, non-condensing  
 Storage Environment:  
 • Temperature: -20°C to +60°C (-4°F to +140°F)  
 • Humidity: 0% RH to 95% RH, non-condensing

### Safety Compliance

CE, FCC, IC, KC, CB

### Packing Information

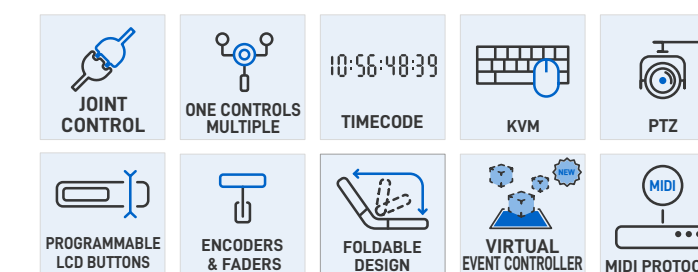
- 1x Optional Power Cable
- 2x HDMI Cable Male to Male, 3m
- 1x Cat5e Ethernet Cable\_P-CAT5, 3m
- 1x USB Type-B to Type-A, 3m
- 1x Flight Case
- 1x Dust Cover
- 1x USB Drive
- 1x Gooseneck Lamp
- 1x Quick Start Guide
- 1x Customer Letter
- 1x Safety Manual
- 1x Certificate of Approval



www.pixelhue.com  
 info@pixelhue.com  
 1201A, 8 Caihefang Road, Haidian District, Beijing, China

**Note:**  
 Specifications subject to change without prior notice.

U5\_EN\_2024-07-29



**U5**  
 Compact Event Controller

This datasheet includes features up to V1.4.1.

# U5

## Compact Event Controller

The U5 is a brand new compact-sized event controller developed by PIXELHUE. Compared to its predecessor, the U5 features smaller form factor, more innovative design highlights and more convenient operation and control over multiple different devices in the field, which will further facilitate your events today, such as corporate conferences, interactive live shows, music tours, immersive art exhibitions, and more.



# APPEARANCE



User-programmable LCD function buttons satisfy all your operation requirements in the field. Function names, pages and more can be clearly shown on the buttons, and the button skins and styles can be customized as you wish.

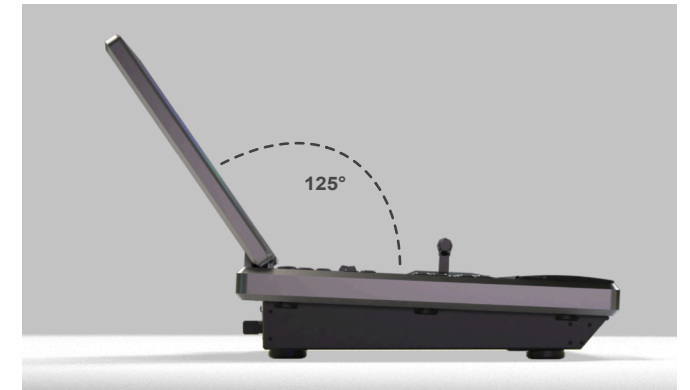
Smart Touchscreen provides supplementary display for still images, timecode info, device health statuses and Multiviewer info.



Abundant standard I/O connectors are provided on the rear panel to help you connect all necessary devices at ease.



Four encoders and eight faders make the event operations amazingly convenient. Also, the encoders and faders can be bound with external MIDI functions for volume adjustment and more.



Foldable design enables worry-free transportation and storage; gas strut design makes regular maintenance possible and easier.

## OPTIMAL CONTROL AND OPERATION EXPERIENCE AT YOUR FINGERTIPS

Equipped with the leading-edge core architecture and SSD(NVMe), the U5 event controller enables the most fluent and fast operations ever. With the design concept of increasing operational efficiency and satisfying the various changing needs that may arise from event scenarios, the U5 event controller comes with all the crucial functionalities that you may need. The newly-upgraded built-in software PixelFlow with always user-friendly GUI helps you manage devices, screens, layers, sources, presets more stably and easily. The magnificent interactive design maximizes user convenience and shortens your learning curve. Convenient control over multiple presentation switchers and media servers greatly simplifies your on-site deployment and brings more convenience and ease to your events. In addition, timecode generating and accepting support, timecode format conversion ability and MIDI support add extra value to all spectacles.

## INNOVATIVE DESIGN, BORN FOR EVENTS

The U5 event controller comes with a compact size and lightweight ruggedized housing, 87 user-programmable LCD buttons, four encoders and eight faders, a high-resolution T-bar, etc. to bring you the maximum ease of use for your events. What's more, the stunning design of 21.5" Main Touchscreen and 8" Smart Touchscreen enables the more visualized and convenient operations, as well as a foldable design makes it easily survive in any road trips. All these make it the perfect solution for various spectacular live events.

## EASY AND CONVENIENT VIRTUAL EVENT CONTROLLER

All physical components of the event controller—including buttons, sliders, encoders, faders, and the T-bar—are virtualized within

PixelFlow, mirroring the purposes of these components. This allows users to customize the functionality of these components and enables their use. In addition, settings for virtual buttons and layouts can be configured in advance and quickly imported for on-site use. This feature greatly boosts operational flexibility, intuitiveness, and efficiency, minimizes space requirements, and ensures that users can enjoy a straightforward and convenient experience wherever they are.

## FEATURES

- 21.5" Main Touchscreen and 8" Smart Touchscreen for visualized and convenient operations
- Smart Touchscreen for displaying still images, timecode, device health and Multiviewer
- 4x encoders and 8x faders, configurable as internal software function buttons or as MIDI buttons
- User-programmable LCD indication buttons for names, pages and more
- Free replacement of button skins and styles
- Built-in upgraded software PixelFlow with more user-friendly GUI, shorter learning curve

A comprehensive simulator for all event controller components in PixelFlow on the control PC, including buttons, encoders, faders, and the T-bar, which replicates the functionality of physical buttons and enables their use

Customization of physical and virtual event controllers: Tailor button functions and layouts to your preference, and save the layouts as configuration files to easily transfer settings across different PCs and controllers

- Simultaneous control over multiple switchers and media servers
- Control over third-party devices via MIDI protocol
- Servable as a MIDI keyboard where all buttons support the MIDI protocol and feature a global MIDI switch
- Customizing MIDI button parameters, including type, channel, key position, key value and output on/off on the physical event controller
- KVM function
- PTZ control
- Compact size
- High anticorrosive aluminum housing, lightweight body design
- Foldable design, with main screen readable and operationable at 45 to 125°
- Unique design for convenient disassembly and easy maintenance

