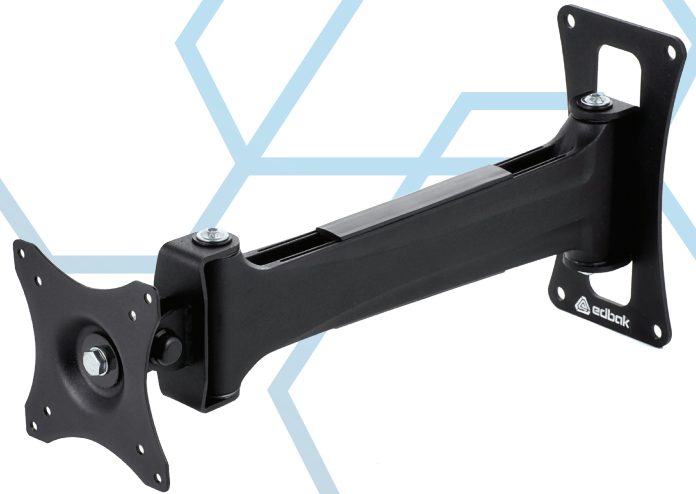


VSM651

SWING ARM WALL MOUNT

FOR 10"-29" SCREENS



The VSM651 swing arm wall mount is dedicated to small screens ranging from 10" to 29". The design is adapted to frequent changes in the position of the screen, so it is a perfect solution for places where the position of screens is often changed. This mount is made of aluminum arm with cables routed inside to ensure smart installation and aesthetic appearance. VSM651 has the possibility of rotating the screen to the right and to the left by 180° and tilting the screen from -90° to +45°, which allows the position of the screen to be adjusted the user's expectations and increases the comfort of use.

FEATURES

- Modern design and aesthetic finish of the wall mount
- Durable aluminum structure
- 180°/180° right-left screen rotation
- Possibility of tilting the screen from -90° to +45°
- Integrated cable management
- VESA universal standard

PRODUCT SPECIFICATIONS

Short index	VSM651
Category	Swing Arms Wall Mounts
Product group	Display Mounts
Colour	Black
Warranty	Limited 5-years
Number of screens	1
Minimum screen size	10"
Maximum screen size	29"
Maximum load	12 kg
Forward tilting	-90°/+45°
Arm rotation	360°
Left-right rotation	180°/180°
VESA Mounting Compatibility	75x75 up to 100x100



10"-29"



75x75
100x100



-90°/+45°



180°/180°



360°



12 kg



RoHS
Compliant



180°/180° right-left screen rotation



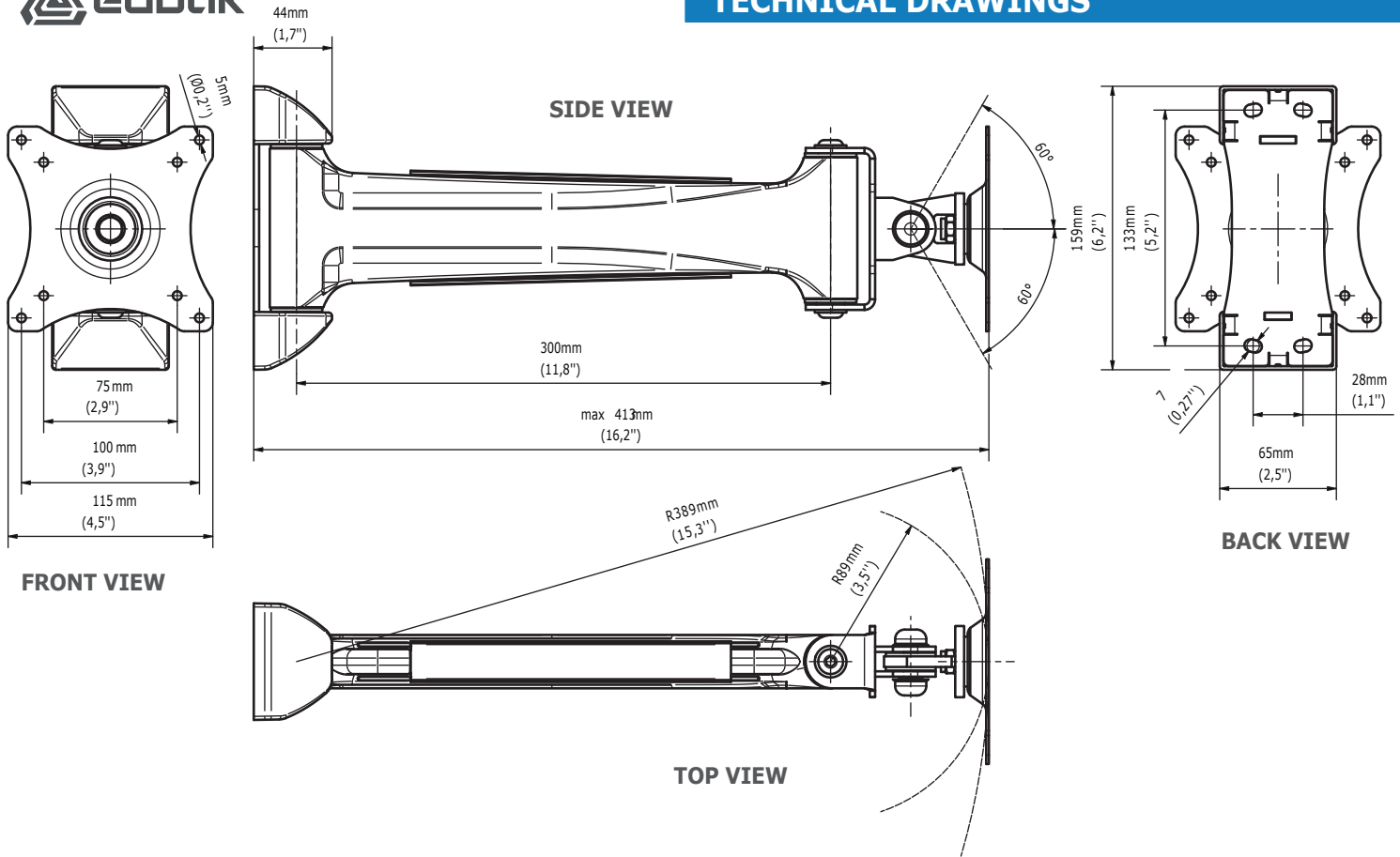
VESA universal standard



Possibility of tilting the screen
from -90° to +45°



Integrated cable management



TECHNICAL SPECIFICATIONS

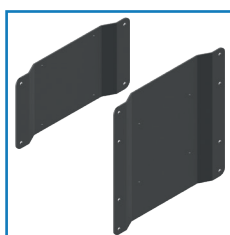
Product dimensions	W: 115 mm D: 413 mm H: 159 mm (W:4,35" D:16,26" H:6,26")
Product weight	2,2 kg (16,26 lb)
Max. distance from mounting surface	413 mm (16,26")
Min. distance from mounting surface	110 mm (4,33")
Max. mounting pattern	100 mm x 100 mm
Min. mounting pattern	75 mm x 75 mm

LOGISTICS DATA

SAP INDEX	EAN CODE	COLOUR	PACKAGE DIMENSIONS	PACKAGE WEIGHT
WUSC-VSM651	5902841111868	BLACK	440 x 220 x 110 mm 17,32 x 8,66 x 4,33"	3 kg 7 lb

HS Code (Harmonized System): 732690, HTS Code (Harmonized Tariff Schedule): 7326909890, Country of Origin: Poland

ACCESSORIES AND RELATED PRODUCTS



GDA1/GDA2



VSM652



GD18