

VSM654

DOUBLE SWING ARM WALL MOUNT

FOR 65"-86" SCREENS

The VSM654 double swing arm wall mount is dedicated to big screens from 65" to 86". This mount is made of aluminum arms with cables routed inside to ensure smart installation and aesthetic finish. The design is adapted to frequent changes in the position of the screen, so it is a perfect solution for places where the position of screens is often changed. VSM654 has the possibility of rotating the screen to the right and to the left by 90° and tilting the screen by +11°, which allows the position of the screen to be adjusted the user's expectations and increases the comfort of use.



FEATURES

- Modern design and aesthetic finish of the wall mount
- 90°/90° right-left screen rotation
- Possibility of tilting the screen +11°
- Durable aluminum structure
- VESA universal standard
- Integrated cable management

PRODUCT SPECIFICATIONS

Short index	VSM654
Category	Swing Arms Wall Mounts
Product group	Display Mounts
Colour	Black
Warranty	Limited 5-years
Number of screens	1
Minimum screen size	65"
Maximum screen size	86"
Maximum load	45 kg
Forward tilting	+11°
Left-right rotation	90°/90°
VESA Mounting Compatibility	100x100 up to 600x400



65"-86"



100x100
600x400



0°/+11°



90°/90°



45 kg



RoHS
Compliant



Possibility of tilting the screen +11°



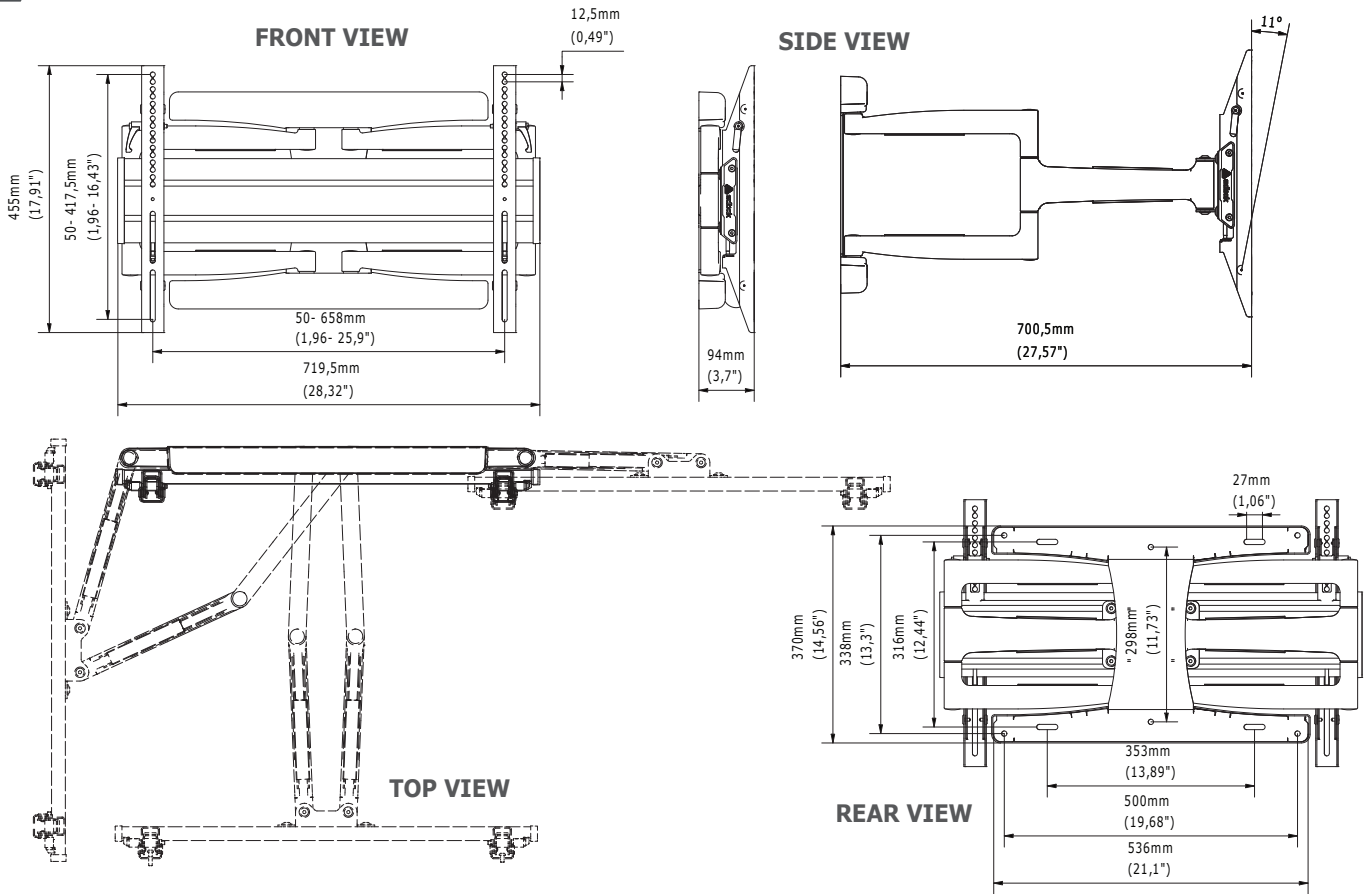
VESA universal standard



90°/90° right-left screen rotation



Integrated cable management



TECHNICAL SPECIFICATIONS

Product dimensions	W: 719,5 mm D: 94 mm H: 455 mm (W:28,33" D:3,70" H:17,91")
Product weight	15,6 kg (34 lb)
Max. distance from mounting surface	700,5 mm (27,58")
Min. distance from mounting surface	94 mm (3,70")
Max. mounting pattern	658 mm x 417,5 mm
Min. mounting pattern	50 mm x 50 mm

LOGISTICS DATA

SAP INDEX	EAN CODE	COLOUR	PACKAGE DIMENSIONS	PACKAGE WEIGHT
WUSC-VSM654	5902841111899	BLACK	770 x 390 x 90 mm 30,31 x 15,35 x 3,54"	16,5 kg 36 lb

HS Code (Harmonized System): 732690, HTS Code (Harmonized Tariff Schedule): 7326909890, Country of Origin: Poland

ACCESSORIES AND RELATED PRODUCTS



VSM653



RPWS1



RMSA1