

EN



HDMI TESTING METER

INSTRUCTION MANUAL
X-AVT110



4K
ULTRA HD

HDMI[™]
HIGH DEFINITION MULTIMEDIA INTERFACE

Version: 2018-08-22

TABLE OF CONTENT

Introduction	3
Intended Use	3
Safety Instruction	3
Delivery Contents	4
Features.	5
Specifications	5
Connection Plan.	6
Interface	7
Operation	8
Maintenance	8
Cleaning	8
Warranty and Liability	9
CE Conformity	10
Disposal of the Device.	10
FCC compliance statement	10
Disclaimer.	12

INTRODUCTION

The HDMI Testing Meter from Sonero enables the reading of resolution, HDCP version as well as colour space and depth. The results can be read off using the LCD display. Test the specifications of monitors/displays quickly and easily. During operation, power is supplied via the micro USB socket.

INTENDED USE

This product is intended for indoor use only. Do not use it outdoors. Contact with moisture, e.g. in bathrooms, must be avoided under all circumstances.

For safety and approval purposes (CE), you must not rebuild and/or modify this product. If you use the product for purposes other than those described above, the product may be damaged. In addition, improper use can cause hazards such as short circuiting, fire, electric shock etc.

Read the instructions carefully and keep them. Make this product available to third parties only together with its operating instructions.

SAFETY INSTRUCTION

Read the operating instructions carefully and especially observe the safety information. If you do not follow the safety instructions and information on proper handling in this manual, we assume no liability for any resulting personal injury or damage to property. Such cases will invalidate the warranty/guarantee.

The device is not a toy. Keep it out of the reach of children and pets.

Do not leave packaging material lying around carelessly. These may become dangerous playing material for children.

Suffocation Risk! Keep packaging materials away from children!

Protect the product from extreme temperatures, direct sunlight, strong jolts, high humidity, moisture, flammable gases, vapors and solvents.

Do not place the product under any mechanical stress.

If it is no longer possible to operate the product safely, take it out of operation and protect it from any accidental use. Safe operation can no longer be guaranteed if the product:

- is visibly damaged,
- is no longer working properly,
- has been stored for an extended period in poor ambient conditions or
- has been subjected to any serious transport-related stresses.

Please handle the product carefully. Jolts, impacts or a fall even from a low height can damage the product.

Also observe the safety and operating instructions of any other devices which are connected to the product.

Consult an expert when in doubt about the operation, safety or connection of the device.

DELIVERY CONTENTS

1x HDMI Testing Meter

1x User Manual

FEATURES

Compliant with HDMI1.4/2.0 Specifications
Compliant with HDCP1.4/2.2 Specifications
Detect resolutions up to 4K2K@60Hz
Detect HDCP version for 1.x or 2.x
Detect Colour Space 4:4:4, 4:2:2 or 4:2:0
Micro USB port for power

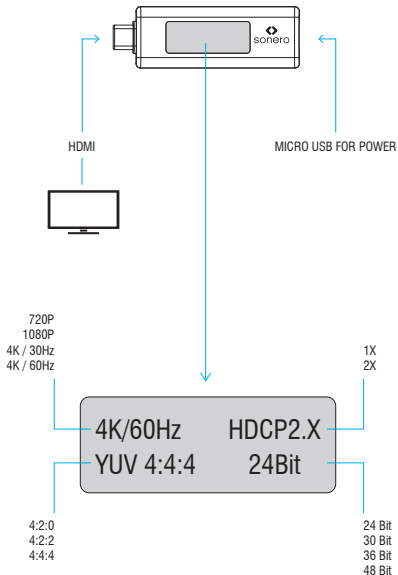
SPECIFICATIONS

Product Size in mm: 69x22x 11mm
Product Weight in g: 12g

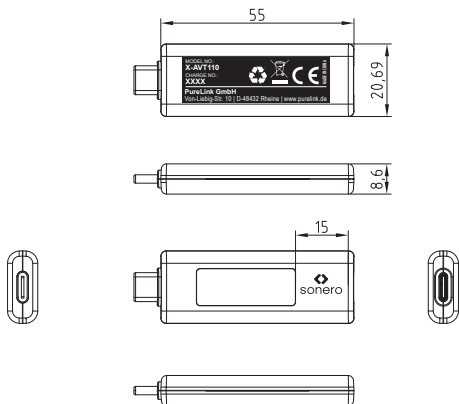
Power
Input: Micro USB 5V DC, 1A, HDMI Male

Environmental Conditions
Operating Humidity: 5~95%
Operating Temperature: 0~85°C
Ambient Temperature: 0~40°C
Storage Temperature: -40~85°C

CONNECTION PLAN



INTERFACE



OPERATION

- A. Detect resolution range: 720p, 1080p, 4K/30Hz & 4K/60Hz
- B. Detect HDCP range: 1.x & 2.x
- C. Detect colour space range: 4:2:0, 4:2:2 & 4:4:4
 - a. 24 Bit/Pixel=8 bits/colour
 - b. 30 Bit/Pixel=10 bits/colour
 - c. 36 Bit/Pixel=12 bits/colour
 - d. 48 Bit/Pixel=16 bits/colour

MAINTENANCE

There are no components located inside the product that require maintenance. Never open or attempt to dismantle the product.

Maintenance, modifications and repairs are to be performed exclusively by an expert or at a qualified shop.

If you have questions which remain unanswered by these operating instructions, contact our technical support service or other technical personnel.

CLEANING

Before cleaning the product, it must be disconnected from all other connected products.

Only use dry and soft cloth to clean the product housing of the.

Do not use abrasives or solvents.

Do not use any aggressive cleaning agents, rubbing alcohol or other chemical solutions as they can cause damage to the housing or cause malfunctions.

To clean the product, use a soft, dry cloth. Do not apply too much pressure to the housing as this may cause scratch marks.

You can easily remove dust using a soft bristled brush.

WARRANTY AND LIABILITY

The manufacturer guarantees full statutory warranty terms on all new devices.

As the manufacturer has no influence on installation, warranty only applies to the product itself.

If any fault or damage is detected on your product, please contact your dealer and provide your sales slip or invoice as evidence of the purchase, if necessary. Your dealer will repair the fault either on site, or send the device to the manufacturer. You make the work of our technicians considerably easier, describing possible faults in detail – only then can you be assured that intermittent faults, will be found and repaired with certainty!

The manufacturer is not liable for damages to persons or property caused by improper installation, operation or maintenance, not described in this manual.

Do not alter or modify the product or its accessories.

Any use other than described in this user`s manual is not permitted and causes loss of warranty, loss of guarantee, and non-liability.

CE CONFORMITY



PureLink GmbH hereby declares that this product X-AVT110 complies with Directive 2014/30/EU.

The full text of the EU Declaration of Conformity is available at the following Internet address:

www.purelink.de/ce/4251364709795_CE.pdf

DISPOSEL OF THE DEVICE

WEEE-Reg. No.: DE 93 847 290



According to the European WEEE directive, any electrical and electronic equipment must not be disposed of along with consumer waste. As a consumer, you are committed by law to deposit electrical and electronic devices at public collecting points or to the dealer for free at the end of the device's lifetime. Details are regulated in the respective national legislations. The Wheelie Bin symbol on the product, in the manual or on the packaging refers to these terms. With the return of your used devices you actively take part in protecting the environment.

FCC COMPLIANCE STATEMENT



This device complies with part 15 of the FCC rules. Operation is subject to the following two conditions: (1) This device may not cause harmful interference, and (2) this device must accept any interference received, including interference that may cause undesired operation.

Note: This equipment has been tested and found to comply with the limits for a Class B digital device, pursuant to part 15 of the FCC Rules. These limits are designed to provide reasonable protection against harmful interference in a residential installation.

This equipment generates, uses, and can radiate radio frequency energy and, if not installed and used in accordance with the instructions, may cause harmful interference to radio communications. However, there is no guarantee that interference will not occur in a particular installation.

If this equipment does cause harmful interference to radio or television reception, which can be determined by turning the equipment off and on, the user is encouraged to try to correct the interference by one or more of the following measures:

- Reorient or relocate the receiving antenna.
- Increase the separation between the equipment and receiver.
- Connect the equipment to an outlet on a circuit different from that to which the receiver is connected.
- Consult the dealer or an experienced radio/TV technician for help.

Important: Changes or modifications to this product not authorized by PureLink could void the electromagnetic compatibility (EMC) and wireless compliance and negate your authority to operate the product.

This product has demonstrated EMC compliance under conditions that included the use of compliant peripheral devices and shielded cables between system components. It is important that you use compliant peripheral devices and shielded cables between system components to reduce the possibility of causing interference to radios, television sets, and other electronic devices.

Exposure to radio frequency energy The radiated output power of this device meets the limits of FCC/IC radio frequency exposure limits. This device should be operated with a minimum separation distance of 20 cm (8 inches) between the equipment and a person's body.

Responsible party (contact for FCC matters only):

PureLink GmbH
Von-Liebig-Straße 10
48432 Rheine
Germany

DISCLAIMER

This product complies with the statutory national and European requirements. All company names and product names are trademarks of their respective owners.

All rights reserved.

We reserve our right for misprints and changes to the device, packaging or user manual.

HDMI® is a registered trademark of HDMI Licensing Administrator, Inc.

Sonero®
PureLink GmbH
Von-Liebig-Straße 10
D-48432 Rheine
info@purelink.de
www.purelink.de